

P Series

The Chameleon
Adaptable Module
for General or Medical Applications



UL Recognized
CSA Certified
VDE Approved



PS Unfiltered



PE Filtered
with "A" Shield



PS Filtered

P Series

The P series power entry module offers full flexibility of design in the most compact package.

As the first 10 amp module to provide all five power entry functions in one compact design, the P Series readily adapts to its environment and the needs of international markets.

- IEC power line connector
- Both North American and European fusing capabilities
- Two voltage selections
- Optional DPST on/off switch
- Filtering options for general purpose and medical applications.

The P Series compact design and modular construction will allow you to select all the power entry features you require – without altering the panel cutout. And the P Series, with adapters, will fit any standard panel cutout you currently have designed with either snap-in or flange mounting.

The P Series is available with a variety of filtering options:

O Models - This version does not include an RFI filter, but has all other options of the P Series. They are rated for applications up to 10 amps.

S Models - General purpose filter for applications where line-to-ground and line-to-line noise must be controlled. These filters allow compliance with FCC limits for linear power supplies. They are available with current ratings of 3, 6, 10 amps.

H Models - Designed to help medical equipment meet UL544, UL2601 and EN60601 for patient care equipment and non-patient care equipment, these filters provide susceptibility protection without leakage current associated with line-to-ground capacitors. They are available with current ratings of 3, 6 and 10 amps.

B Models - Included with these unfiltered models is an interconnection block that reduces external wiring by connecting the switch with the fuse(s) and IEC receptacle. They are rated for applications up to 10 amps.

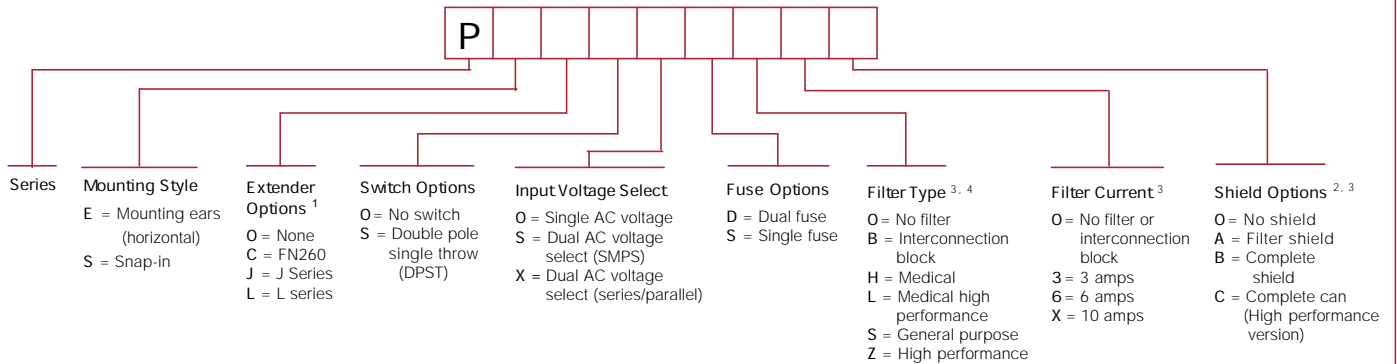
Z Models - High performance filter versions are designed to help bring most digital equipment (including switching power supplies) into compliance with EN55022, Level B (as well as FCC Part 15J, Class B) conducted emissions limits. They are available with current ratings of 6 and 10 amps. High performance versions are available with horizontal mounting ears, no extenders, single voltage, complete can shield with options for switch, fuses and current ratings only.

L Models - High performance Medical filter versions that are designed to help bring most digital equipment (including switching power supplies) into compliance with EN55022, Level B (as well as FCC Part 15J, Class B) conducted emissions limits while additionally allowing equipment to meet UL544, UL2601 and EN60601 for patient care equipment and non-patient care equipment. They are available with current ratings of 6 and 10 amps. High performance versions are available with horizontal mounting ears, single voltage, complete can shield with options for switch, fuses and current ratings only. Extenders are not available.

Series P

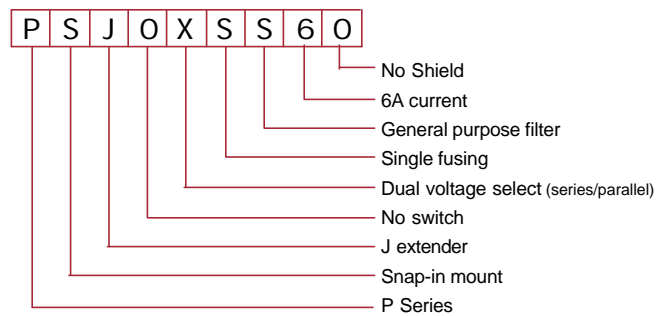
P Series Part Number System

Part numbers are constructed by selecting the alphanumeric character which represents the desired feature.



Notes:

- Extenders cannot be added to units with B or C shields. Extenders allow the P Series to fit other Corcom/competitor panel cutouts.
- Shields can only be used with filtered models.
- When using interconnection block, the last 3 digits of the part number are BX0.
- High performance versions are available with horizontal mounting ears, no extenders, single voltage, complete can shield with options for switch, fuses, filter type (L or Z) and 6 or 10 amp current ratings only. (e.g PE0_S__C)



Ordering Information

Consult your local Corcom sales representative for pricing.

Most Popular Part numbers (Contact factory for availability of component combinations not listed)

Filtered	PS00D000	PS0S0DHX0	PS0S0SS6A	PS0SXS000	Unfiltered	PS00SD000
PE00XDS60	PS00S000	PS0S0DS60	PS0S0SSXB	PS0SXSH30	PE0SSS000	PS00SS000
PE0S0SS6B	PS00SH30	PS0S0DS6A	PS0SSSH30	PS0SXSH6A	PSJSXS000	PS00XD000
PE0SSSS60	PS00SS3B	PS0S0DS6B	PS0SXD000	PS0SXSS30	PSJS0S000	PS00XS000
PE0S0DLXC	PS00SS60	PS0S0S000	PS0SXDH30	PS0SXSS6A	PSJ0XD000	PS00D000
PE0S0DL6C	PS00SS6B	PS0S0SBX0	PS0SXDH3A	PS0SXSS6A	PSJ0XS000	PS00S000
PE0S0DZXC	PS00SSXB	PS0S0SH60	PS0SXDH60	PS0SXSS6B	PS0SSD000	PS0SSD000
PE0S0DZ6C	PS00XD000	PS0S0SH6B	PS0SXDH6A	PS0SXSSX0	PS0SSS000	PS0SSS000
PE0S0SLXC	PS00XS000	PS0S0SHXA	PS0SXDS30	PSJS0DH30	PS0SXD000	PS0SXD000
PE0S0SL6C	PS0S0D000	PS0S0SS3A	PS0SXDS3A	PSJS0S000	PS0SXS000	PS0SXS000
PE0S0SZXC	PS0S0DBX0	PS0S0SS3B	PS0SXDS60	PSJSXS000	PS0S0D000	PS0S0D000
PE0S0SZ6C	PS0S0DH3B	PS0S0SS60	PS0SXDS6B		PS0S0S000	PS0S0S000

Mounting Styles

Corcom offers both flange mounting as well as snap-in mounting of the popular P Series. This allows OEM's to choose the part that best suits their production methods.



Flange Mount



Snap-in Mount

Extender Option

Extenders are available which allow the P series to adapt to Corcom's L or J series cutouts, as well as the panel cutout of Schaffner and Delta parts (C extender).

eg. The 'J' extender will allow the 'P' series to fit the Corcom 'J' series cutout

Specifications – Filtered Models

Maximum leakage current, each line-to-ground:

@ 120 VAC 60 Hz:	H, L models	2μA
	S, Z models	0.25mA
@ 250 VAC 50 Hz:	H, L models	5μA
	S, Z models	.50mA

Hipot rating (one minute):

line-to-ground	1500 VAC
line-to-line	1450 VDC

Operating voltages:

Selectable or fixed	115/230 VAC
---------------------	-------------

Fuseholder:

Accepts one or two fuses*	1/4" x 1-1/4" or 5 x 20 mm
---------------------------	-------------------------------

Operating frequency: 50/60 Hz

Rated voltage: 120/250 VAC

Switch: Double-insulated rated for 10,000 operations at full load. 51 Amp inrush capability.

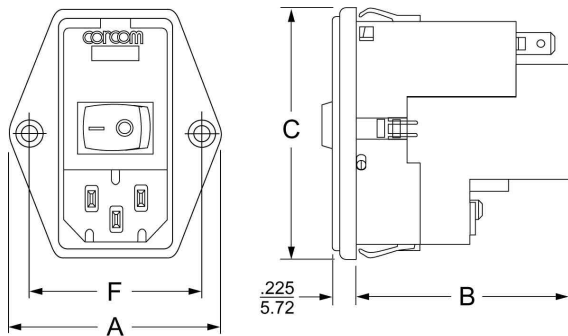
Terminals: 0.187" x 0.032" terminal tabs

*Conversion clip provided on fuseholder for single fuse models.

Case Styles – Filtered Models

Metric shown in italics.

PE



Case Dimensions – Filtered Models

Metric shown in italics.

Part No.	A (max)	B (max)	C (max)	D <i>+0.008/-0.000</i> <i>+20/-00</i>	E <i>+0.008/-0.000</i> <i>+20/-00</i>	F
PE	<i>1.98</i> <i>50.3</i>	<i>2.13</i> <i>54.1</i>	<i>2.31</i> <i>58.7</i>	<i>1.120</i> <i>28.45</i>	<i>2.201</i> <i>55.91</i>	<i>1.575</i> <i>40.0</i>
PE High Performance	<i>1.98</i> <i>50.3</i>	<i>4.42</i> <i>112.3</i>	<i>2.39</i> <i>60.7</i>	<i>1.150</i> <i>29.21</i>	<i>2.201</i> <i>55.91</i>	<i>1.575</i> <i>40.0</i>
PS	<i>1.24</i> <i>31.5</i>	<i>2.13</i> <i>54.1</i>	<i>2.31</i> <i>58.7</i>	<i>1.060</i> [†] <i>26.93</i>	<i>2.201</i> * <i>55.91</i>	—
PSC	<i>1.24</i> <i>31.5</i>	<i>2.13</i> <i>54.1</i>	<i>2.51</i> <i>63.8</i>	<i>1.060</i> [†] <i>26.92</i>	<i>2.520</i> <i>64.01</i>	—
PSJ	<i>1.24</i> <i>31.5</i>	<i>2.13</i> <i>54.1</i>	<i>2.72</i> <i>69.1</i>	<i>1.060</i> [†] <i>26.92</i>	<i>2.600</i> + <i>66.00</i>	—
PSL	<i>1.24</i> <i>31.5</i>	<i>2.13</i> <i>54.1</i>	<i>2.31</i> <i>58.7</i>	<i>1.120</i> <i>28.45</i>	<i>2.201</i> * <i>55.91</i>	—

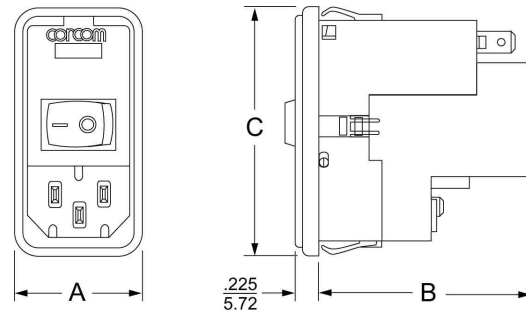
* Panel cutout for thickness of .031 - .079 (0.8 - 2.0). For panel thickness at .083 - .114 (2.1 - 2.9) use 2.213 (56.21).

+ Panel cutout for thickness of 0.06 - 0.09 (0.76 - 2.29).

† For shielded models use D = 1.120 $\frac{+0.008}{-0.000}$.

Shields can be used only with filtered models. Shields add approximately 0.06" to depth. B and C shields may not be used with extenders.

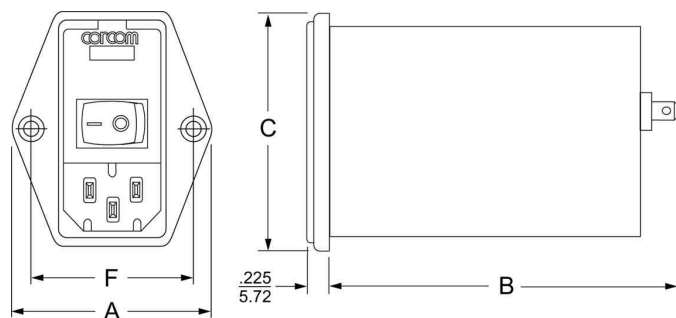
PS



Back View

Typical Panel Cutout

PE (High Performance)

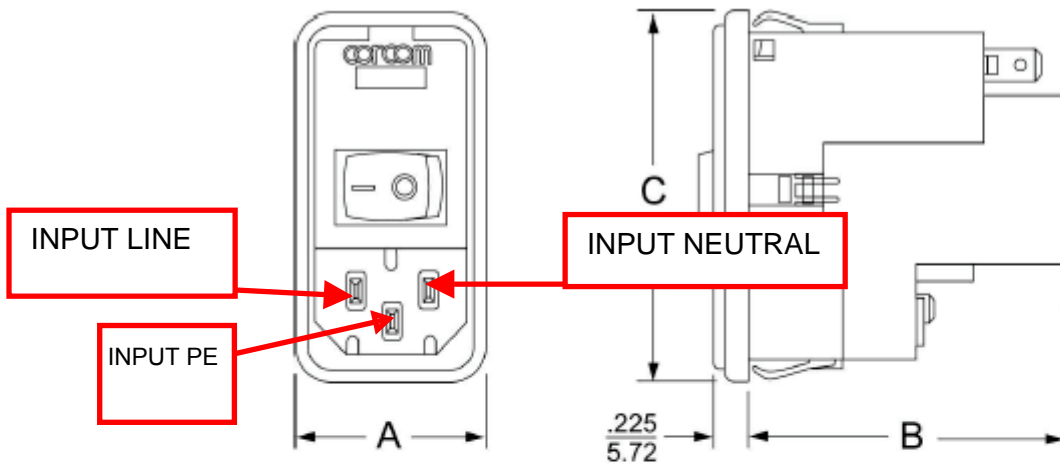


Mounting holes $\frac{.125}{3.18}$ Dia. (2) Countersunk holes

* For snap-in applications, the D sides of the cutout must have a .02 (.508) radius on the installation side.

Note: Snap-in models allow front mounting only. PS not recommended for plastic panels.

PS



Back View

Typical Panel Cutout

