

Technical Specifications

MOBOTIX MOVE 2MP Vandal Dome Camera

A performant 2MP, full HD 1080p resolution camera for the daily security and surveillance needs. The camera easily adopts to different indoor and outdoor scenes.

- 2.8 to 12 mm Vari-Focal Lens
- Wide Dynamic Range (WDR) max. 130 dB
- Light Sensitivity : down to 0,008 lux
- PoE Power Support
- Integrated IR LEDs up to 40 m distance
- Outdoor suitable (IP66) and vandal proof design (IK10)
- ONVIF Profile S/G/T support
- Extended Temperature Range: -30 to 60 °C/-22 to 140 °F

Technical Specifications

MOBOTIX 2MP Vandal Dome Camera

Product Information

Product Name	2MP Vandal Dome Camera
--------------	------------------------

Order Code	Mx-VD2A-2-IR
------------	--------------

Image Quality

Image Sensor	5MP, 1/2.7" Progressive scan
--------------	------------------------------

Effective (Used) Pixels	H x V = 1920x1080 (2MP)
-------------------------	-------------------------

Pixel Size	2.0 μm
------------	-------------------

Frame Rate (maximum)	WDR on: H.265/H.264: 1920x1080 @30fps + 720x480 @30fps MJPEG: 1080p @30fps WDR off: H.265/H.264: 1920x1080 @30fps + 720x480 @30fps MJPEG: 1080p @30fps
----------------------	---

Lens

Minimum Illumination	Color: 0,08 lux B/W: 0,008 lux
----------------------	-----------------------------------

Lens Characteristics	Manual Vari-Focal Lens Focal Length: 2.8 to 12 mm Aperture: F1.4 to F2.8 Horizontal Field of View: 96.76° (Wide), 34.13° (Tele) Vertical Field of View: 52.21° (Wide), 19.24° (Tele)
----------------------	--

Lens Mechanics	3-Axis adjustment
----------------	-------------------

Camera

Day/Night	Automatic mechanically switchable IR-cut filter
Shutter Time	Manual mode: WDR: 1/17550 s Linear: 30 fps, 1/37440 s Automatic Mode: 1 to 1/10000 s
WDR	Up to 130 dB Multi Exposure WDR & HDR Engine support
Zoom	Optical: 4.29x, Digital 10x
Image settings	Color, Brightness, Sharpness, Contrast White Balance, Exposure Control 2DNR, 3DNR, NR by Motion Masking, Text Overlay
Corridor Mode	90°, 180°, 270° Rotation

Video Codec

Compression/Encoding	H.265/H.264/MJPEG
Streaming	Up to 4 individually configurable streams in H.264/H.265/MJPEG Configurable resolution/frame rate/bandwidth LBR/ VBR/CBR in H.265/H.264

Network

Interface	10/100 Mbps Ethernet
Security	User Authentication/HTTPS/IP Filter/IEEE 802.1x
Supported Protocols	iARP, PPPoE, IPv4/v6, ICMP, IGMP, QoS, TCP, UDP, DHCP, UPnP, SNMP, SMTP, RTP, RTSP, HTTP, HTTPS, FTP, NTP, DDNS , SMBv2
ONVIF conformance	Supports profiles S/G/T
Supported Browsers	Microsoft Internet Explorer 10 or higher, Google Chrome, Mozilla Firefox, Apple Safari; Microsoft Internet Explorer with ActiveX is recommended for best performance and H.265 support

Technical Specifications

MOBOTIX 2MP Vandal Dome Camera

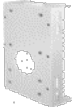

System Integration

Base Video Analytics	<ul style="list-style-type: none">▪ Motion Detection▪ Tampering
Event Triggers	<ul style="list-style-type: none">▪ Analytics▪ Network failure detection▪ Periodical event▪ Manual trigger
Event Actions	<ul style="list-style-type: none">▪ Video recording to edge storage▪ File upload: FTP, network share and email▪ Notification: HTTP, FTP, email

General

Casing	
Power	PoE IEEE802.3af, class 0, max. 7.5 W
Connectors	RJ45
IR Illumination	850 nm; up to 40 m distance depending on scenery reflection
Video Storage	Support for microSD/microSDHC/microSDXC card, Support for recording to NAS, MOBOTIX MOVE NVR
Environmental Protection Class	IP66/IK10
Operating Conditions	Temperature range: -30 to 60 °C/-22 to 140 °F Cold start min. temp.: -20 °C/-4 °F Relative humidity: 95 % rel. humidity (non-condensing)
Storage Conditions	-20 to 70 °C/-4 to 158 °F
Approvals	EMC: CE/FCC, Safety: LVD, Environmental: IP66, IK10
Dimensions	ø 133,8 x 117,4 mm
Weight	760 g

Accessories

Picture	Order Code	Description
	Mx-M-VD-W	Wall Mount (junction mount) for MOBOTIX MOVE Vandal Dome Cameras
	Mx-M-VD-P	Pole Mount (junction mount) for MOBOTIX MOVE Vandal Dome Cameras
	Mx-M-VD-C	Corner Mount for MOBOTIX MOVE Vandal Dome Cameras
	Mx-M-VD-IC	Ceiling Flush Mount for MOBOTIX MOVE Vandal Dome Cameras
	Mx-M-VD-DCT	Clear Replacement Bubble for MOBOTIX MOVE Vandal Dome Cameras
	Mx-M-VD-DCS	Tinted (smoked) Replacement Bubble for MOBOTIX MOVE Vandal Dome Cameras
	Mx-NPA-UPOE1A-60W	UPoE Network Power Injector 60 W

Dimensions

NOTE! Download the drilling template from the section or on the MOBOTIX website: www.mobotix.com > Support > Download Center > Marketing & Documentation > Drilling Templates.

CAUTION! Always print or copy at 100% of the original size!

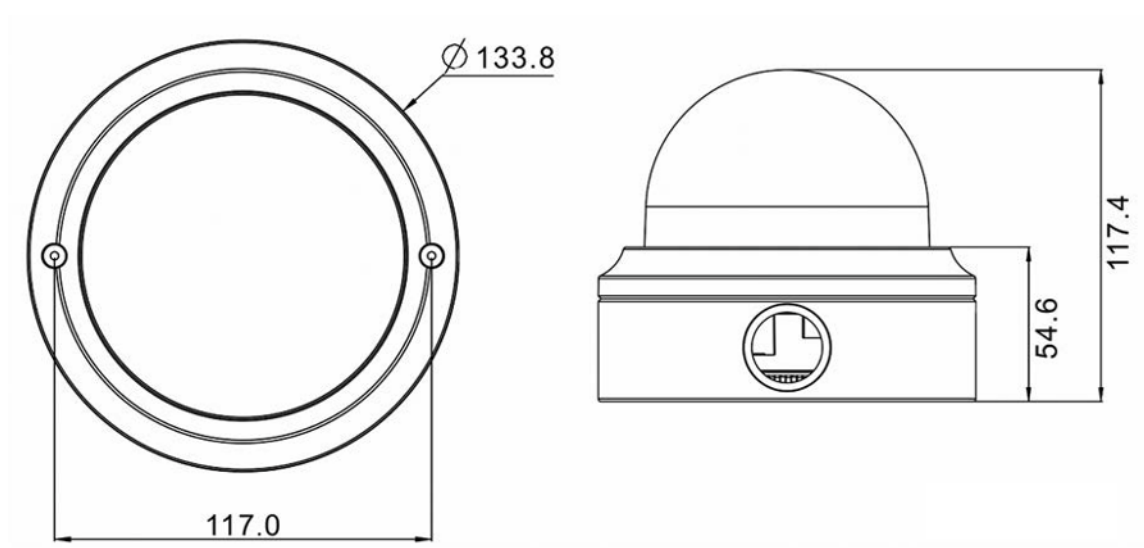


Fig. 1: 2MP Vandal Dome Camera: All measurements in mm

MOBOTIX

BeyondHumanVision

[EN_09/21](#)

MOBOTIX AG • Kaiserstrasse • D-67722 Langmeil • Tel.: +49 6302 9816-103 • sales@mobotix.com • www.mobotix.com

MOBOTIX is a trademark of MOBOTIX AG registered in the European Union, the U.S.A., and in other countries. Subject to change without notice. MOBOTIX do not assume any liability for technical or editorial errors or omissions contained herein. All rights reserved. © MOBOTIX AG 2020