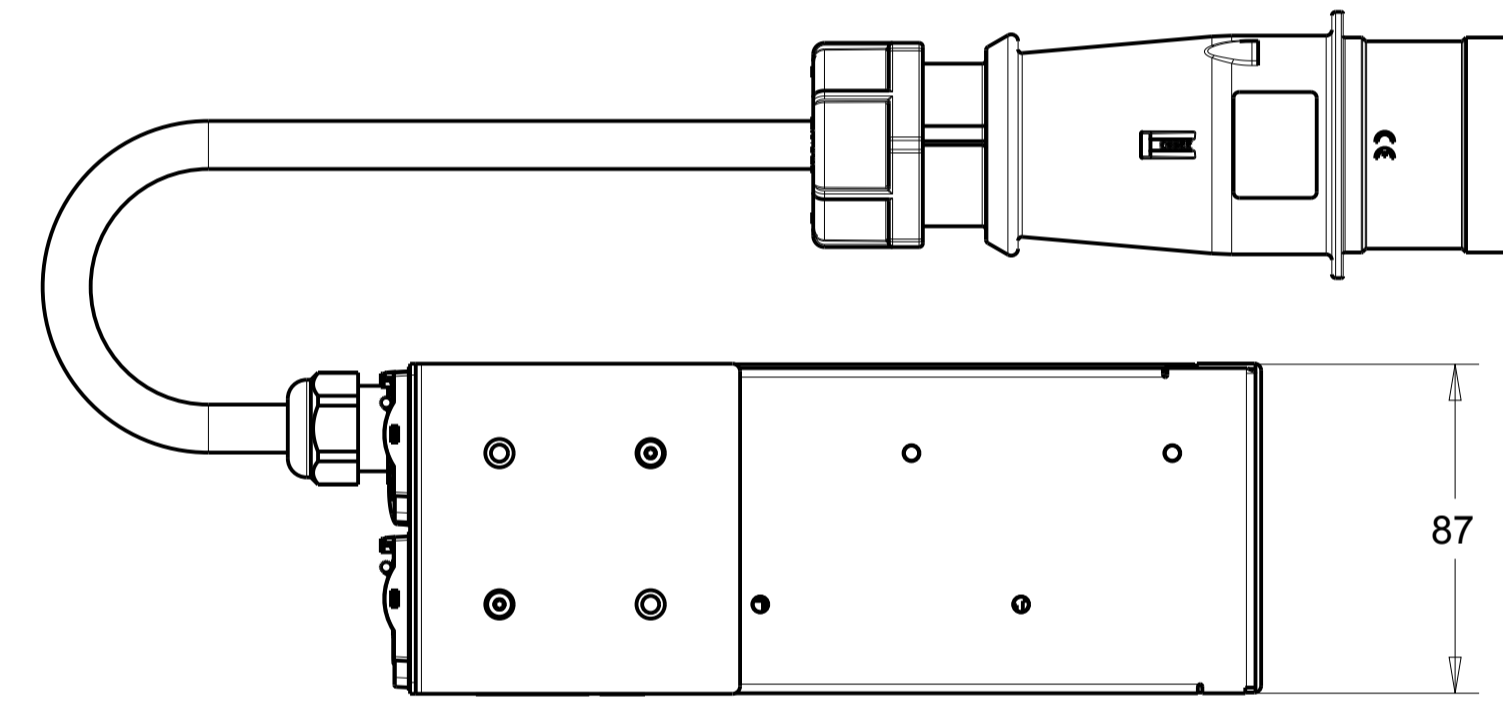
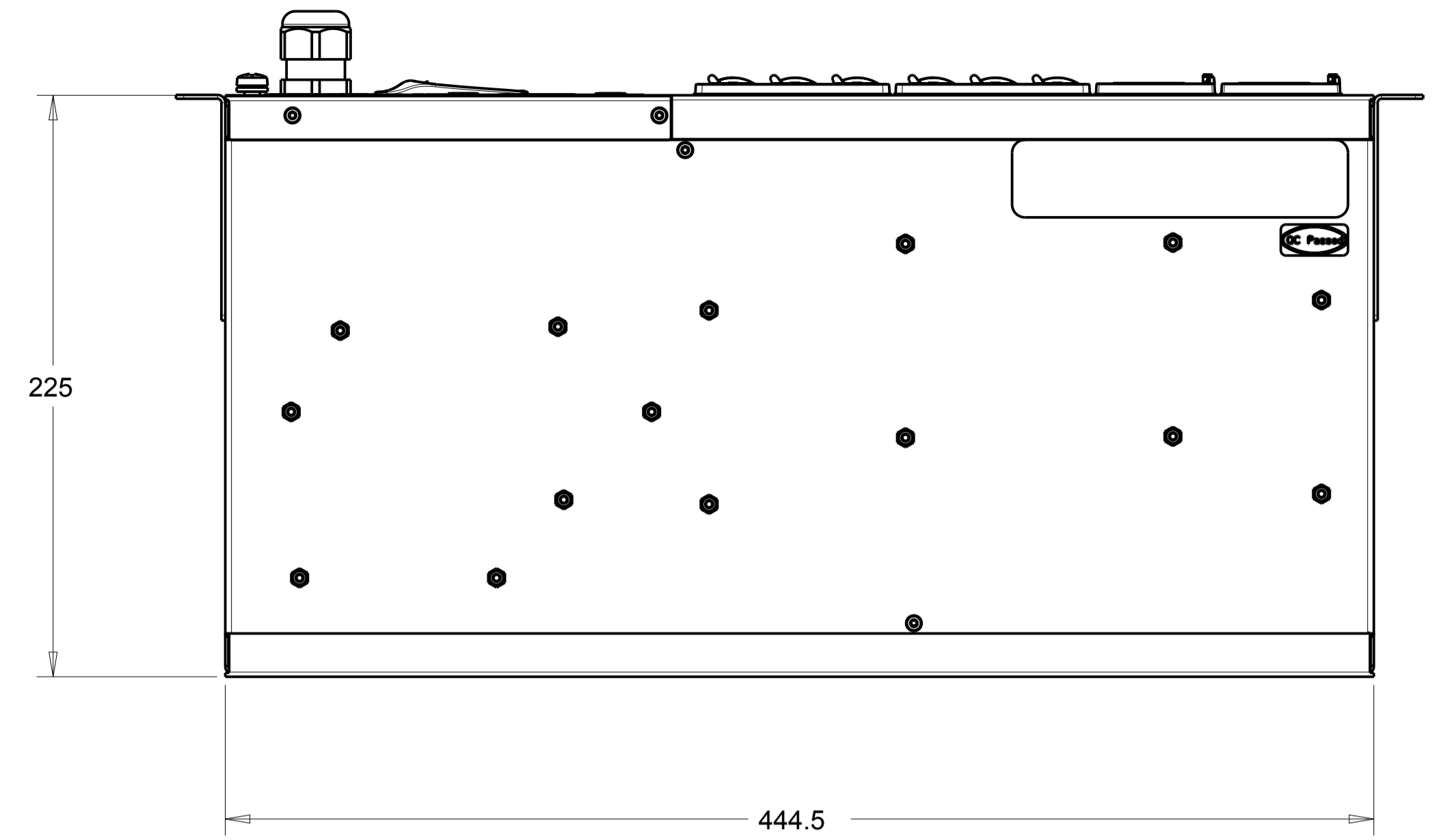
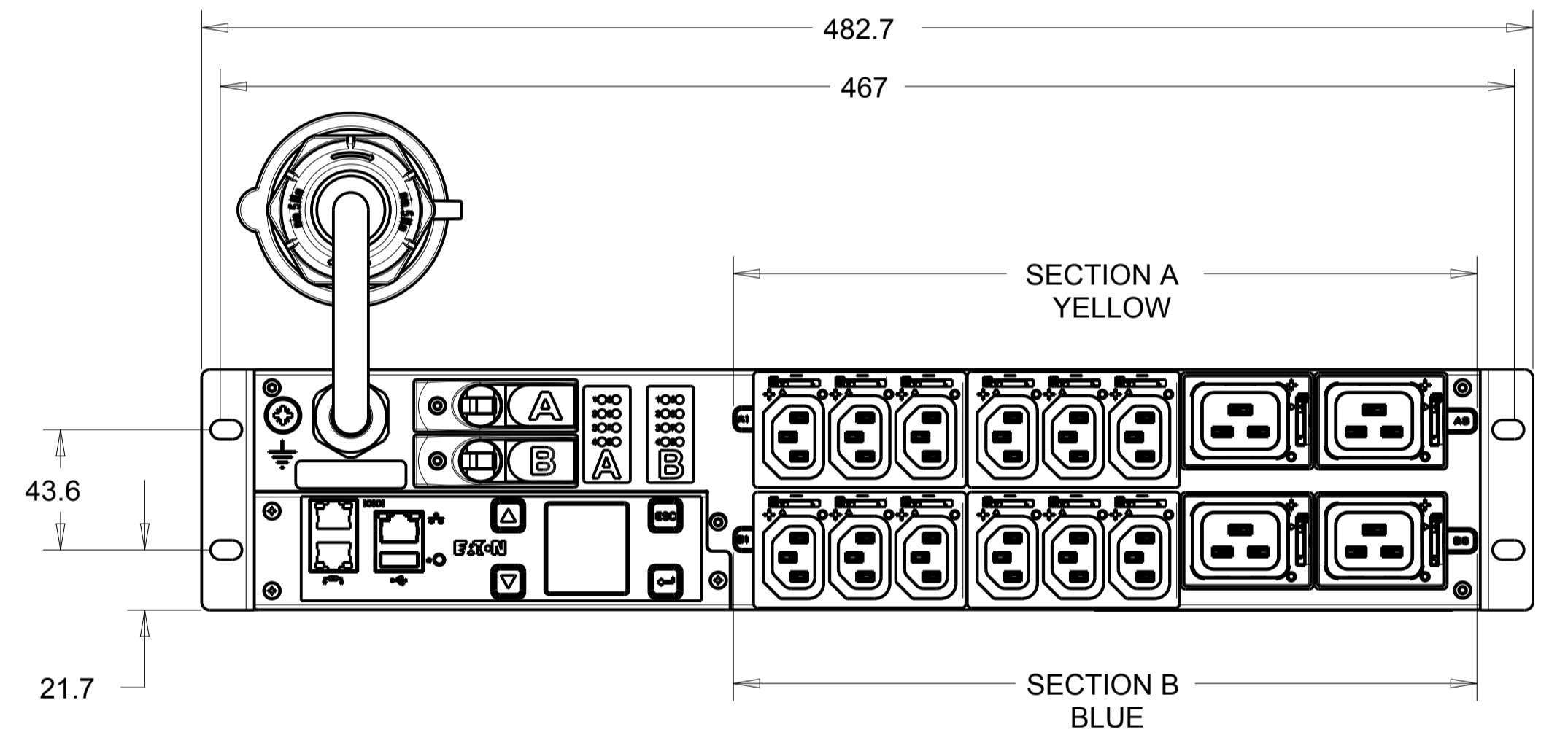
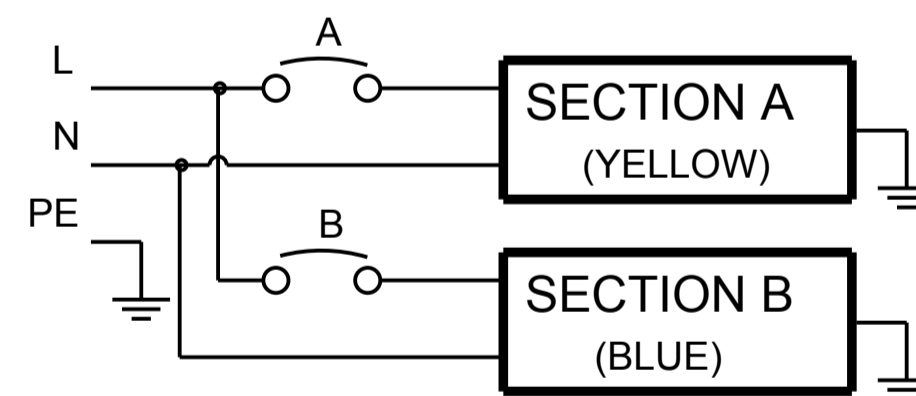


PICTORIAL VIEW
REFERENCE ONLY



INPUT CABLE SHOWN NOT TO SCALE

CIRCUIT SCHEMATIC



EMAH06 G3 MANAGED

FUNCTIONALITY	INPUT	OUTPUT	ENVIRONMENTAL
CURRENT POWER AND ENERGY METERING FOR INPUT, BRANCH AND OUTLETS. INDIVIDUAL OUTLET CONTROL.	IEC 60309-2 32A 320V~ W+N+PE 4.0MM HO7 POWER CORD CABLE LENGTH: 3.0M	(12) IEC 60320 C13 GRIP (4) IEC 60320 C19 GRIP	0 TO 60° C
MECHANICAL	INPUT RATING	OUTPUT RATING	CERTIFICATIONS
LENGTH: 225MM WIDTH: 444.5 MM DEPTH: 87.2MM ALUMINIUM CHASSIS, BLACK 19 INCH RACK MOUNT	1Ø; 200-240V~;W+N+PE 50/60HZ 32A	200-240V~;50/60HZ 10A PER C13;16A PER C19 16A MAX PER SECTION 32A MAX TOTAL	CE, CB
CIRCUIT BREAKERS	FILTER AND SPIKE/SURGE	ACCESSORIES	CONFIGURATION
(2) 16A 1-POLE	NONE	STANDARD KSP013 - 2U INSTALLATION AND NETWORK KIT OPTIONAL EMP001 - ENVIRONMENTAL PROBE	EMA6CHJFBDB24AM

01 CHANGE DESCRIPTION FROM 3P TO 1P		09.02.2017	VV	MB
00 INITIAL RELEASE		21.12.2016	RA	MB
REV. MODIFICATION		DATE	DESIGNER	VERIF.
EATON HEINEMANN PRODUCTS		VUE/VIEW EUROPE: 1/2	N° MAG: EMAH06	
CH-1345 LE LIEU SWITZERLAND		DESSEINE LE / DRAWN THE	21.12.2016	
TOLERANCE GENERALE / GENERAL TOLERANCE ± 0.1 ± 0.5*		PAR / BY	RA	
TRAITEMENT / FINISH NA		VERIFIE PAR / VERIFIED BY	MB	
MATIERE / MATERIAL NA		NIVEAU DU CERTIFICAT DE SOUMISSION REQUIS / SAMPLES APPROVAL PROCESS REPORT X DIMENSIONS AND TOLERANCES IN MILLIMETERS		
DESIGNATION	EPDU MA 2U (309 32A 1P)12XC13:4XC19	SK-87419-Y1	01	
COTES A CONTROLER / INSPECTION DIMENSIONS	XX.XX	COTES FONCTIONNELLES / FUNCTIONAL DIMENSIONS	# XX.XX	NUMERO DU PLAN / PLAN NUMBER
Ce document est propriété de Eaton Industries Manufacturing GmbH. Duplication interdite sans autorisation. This document is Eaton Industries Manufacturing GmbH property. Duplication forbidden without authorization.				