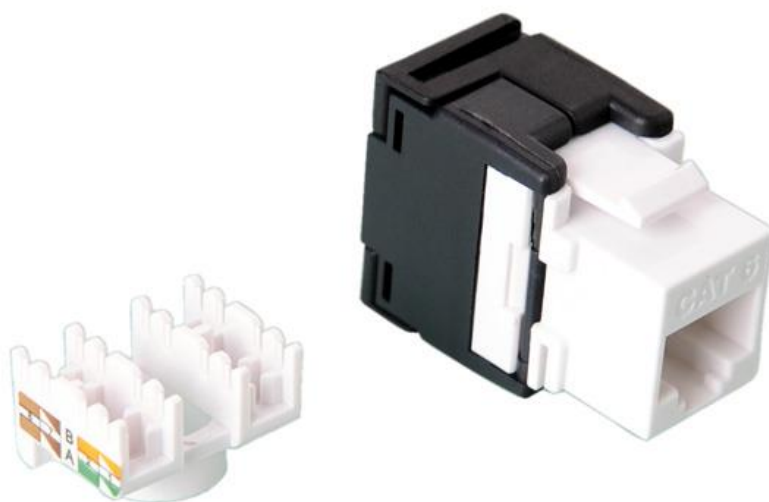




Datenblatt - Fiche technique - Data sheet

26.99.0363



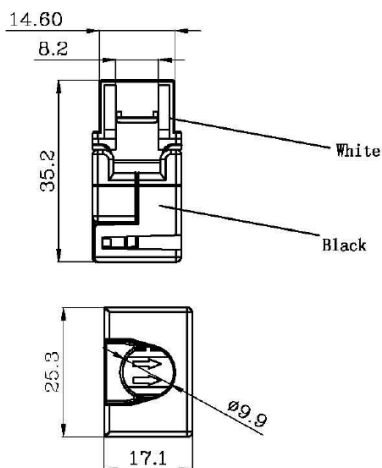
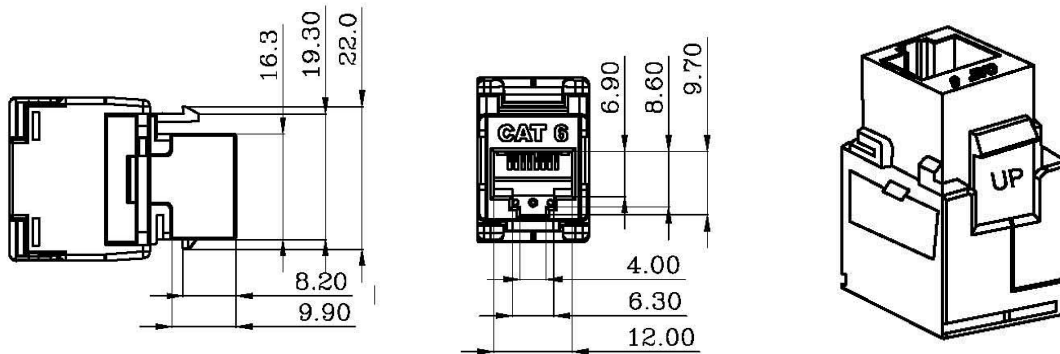
VALUE Kat.6 Keystone ungeschirmt, werkzeuglos, weiß

VALUE Keystone cat.6, non-blindé, sans outillage, blanc

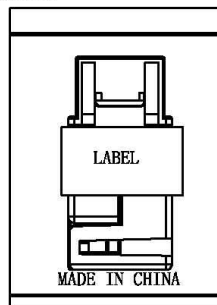
VALUE Keystone Jack, Cat.6, RJ-45, unshielded, 180°, toolless, white

Item no. 26.99.0363

VALUE Cat. 6 Keystone Jack, UTP 180° Tool-less, white color



PACKING:



ELECTRICAL:

1. Contact resistance :20M ohms max
2. Insulation resistance:500M ohms min
3. Dielectric strength :700 vac/lmin
4. CAT. 6 PERMANENT LINK : ISO 11801 PL Max ClassE

ENVIRONMENTAL:

1. Storage : -40° to +70°
2. Operation : -10° to 60°

MECHANICAL:

1. Housing material :PC UL94V-0
2. IDC housing material :PC UL94V-0
3. PCB material :fr-4 t=1.6mm
4. Contact material :phosphor bronze with gold plating over nickel
5. IDC contact material :phosphor bronze with tin plating over nickel
6. RJ45 jack life :750 times min
7. IDC life :250 times min
8. Wire :AWG23-26AWG

RoHS & REACH Compliant

PACKING: 1PC/PE+EAN CODE LABEL, 40 PCS/SMALL BOX+LABEL