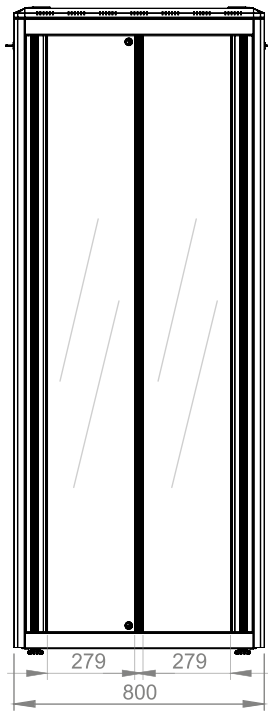
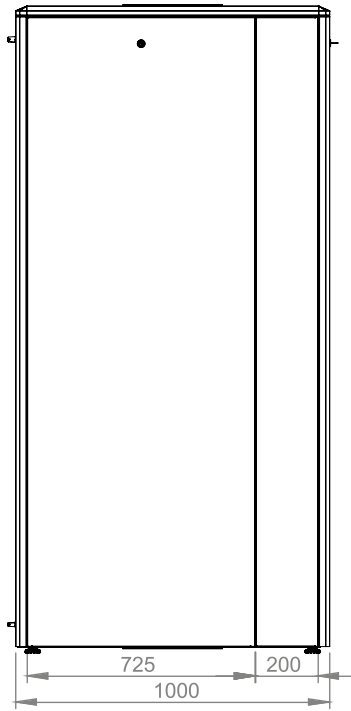


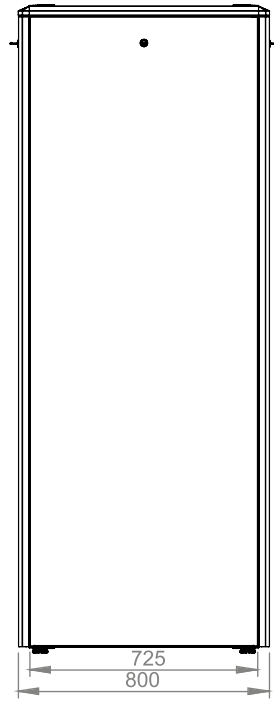
Bottom view



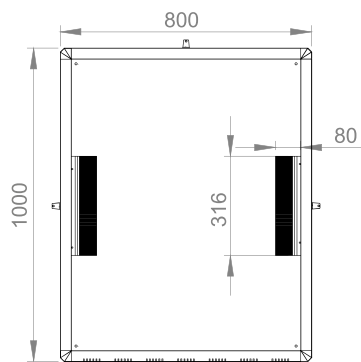
Front view



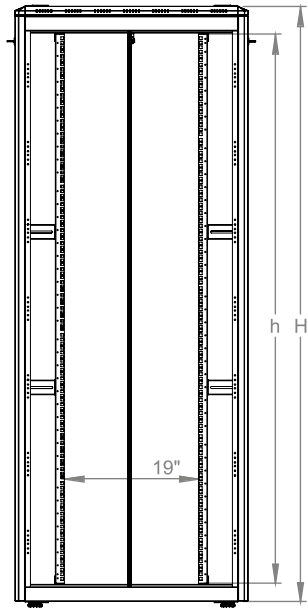
Side view



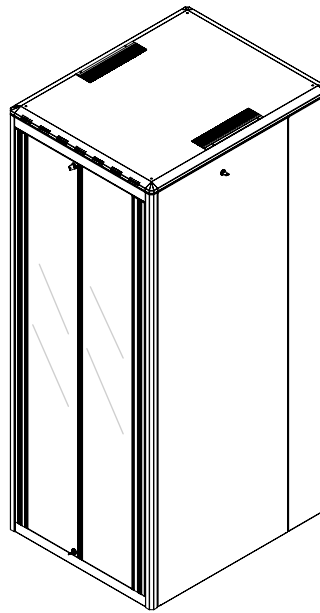
Rear view



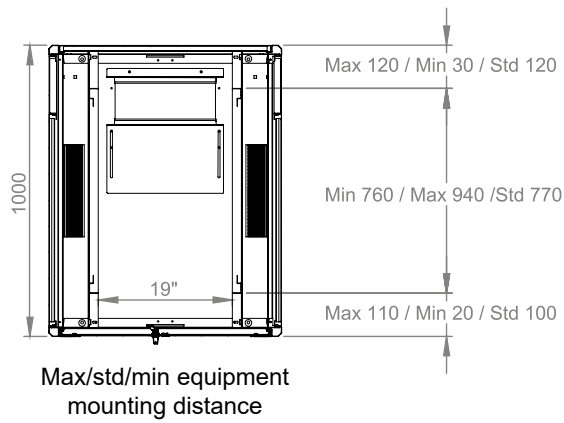
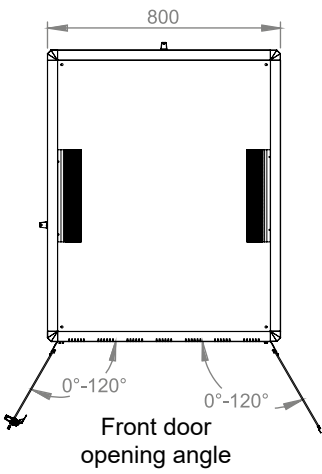
Top view



Dimensions in width and height



Isometric view



Max/std/min equipment mounting distance

	h	H
42U	1867 mm	2053 mm
45U	2000 mm	2187 mm
47U	2089 mm	2276 mm