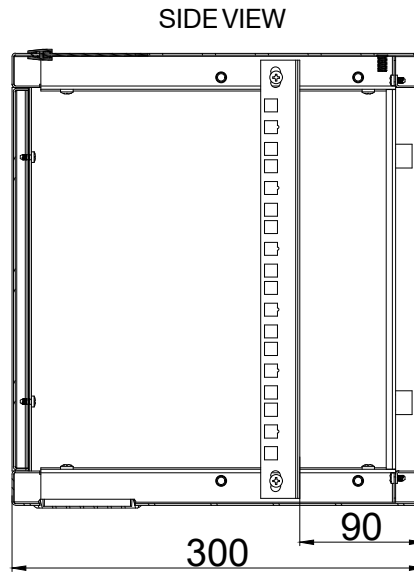
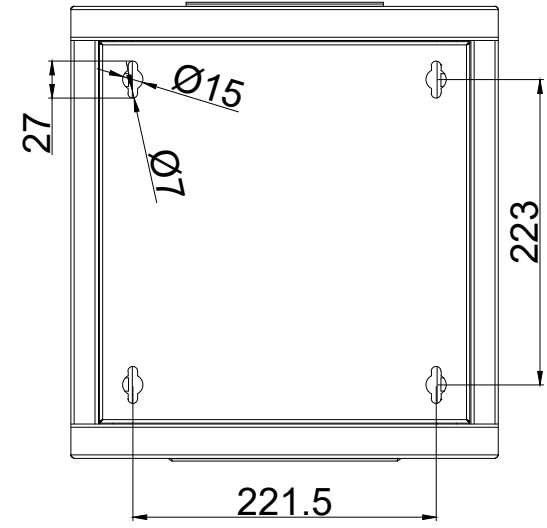


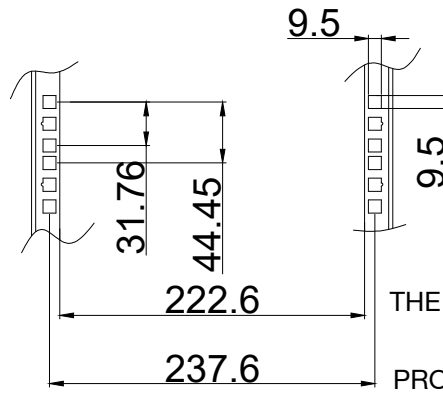
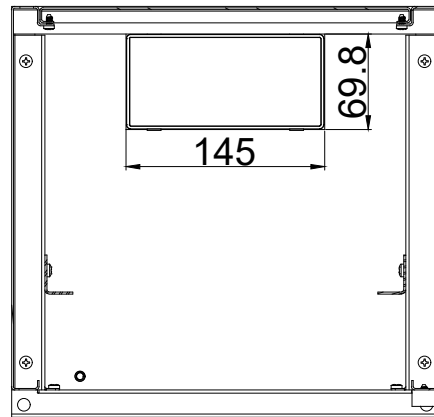
WIDTH OF WALL CABINET



DEPTH OF WALL CABINET



WIDTH OF HANGING HOLE



THE CENTRAL DISTANCE BETWEEN THE HOLE AND THE HOLE

PROFILE RAIL MOUNTING DIMENSIONS

6U-HEIGHT: 330 MM  
 9U-HEIGHT: 464 MM  
 12U-HEIGHT: 592 MM  
 THICKNESS: 1.2 MM