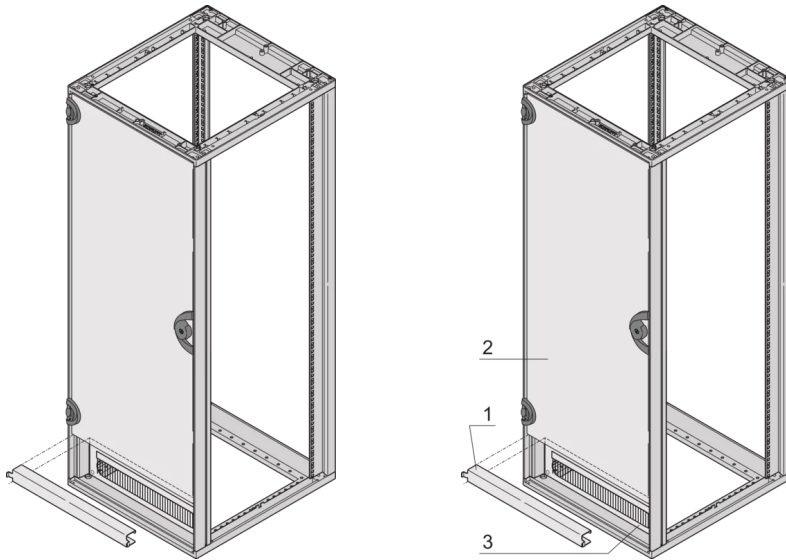


27230-098 NOVASTAR DOOR HINGE BRACKET FOR SHORTENED DOOR, FOR HEAVY-DUTY UNIVERSAL FRONT OR REAR DOOR



KEY FEATURES

Mounting (1 U assembly space required) can be above or below the short door

For steel doors that do not run the full height of the cabinet

Requires 1 U installation space

The clearance can be covered by 19" front panels or a cable through-ducting plate (3 U or 4 U)

PRODUCT ATTRIBUTES

Product Type: Bracket

Product Family: Novastar

Type: Bracket

Works With: Cabinet

Material: Steel

Color: Black Grey

Color Code: RAL 7021

Height: 44.45 mm

Width: 553 mm

ADDITIONAL PRODUCT DETAILS

Door Hinge Bracket for shortened Doors, Heavy-Duty and Slim-Line, Front or Rear.

CERTIFICATIONS



North America

All locations
+1.763.422.2661
Chat with us:
schroff.nvent.com

Europe

Straubenhardt, Germany
+49.7082.794.0
Betschdorf, France
+33.3.88.90.64.90
Warsaw, Poland
+48.22.209.98.35
Assago, Italy
+39.02.932.7141
Chat with us:
schroff.nvent.com

Asia

Shanghai, China
+86.21.2412.6943
Qingdao, China
+86.532.8771.6101
Singapore
+65.6768.5800
Shin-Yokohama, Japan
+81.45.476.0271
Chat with us:
schroff.nvent.com

Middle East & India

Dubai, United Arab Emirates
+971.4.378.1700
Bangalore, India
+91.80.6715.2001
Istanbul, Turkey
+90.216.250.7374
Chat with us:
schroff.nvent.com



Our powerful portfolio of brands:
nVent.com **CADDY ERICO HOFFMAN RAYCHEM SCHROFF TRACER**

© 2023 nVent. All nVent marks and logos are owned or licensed by nVent Services GmbH or its affiliates. All other trademarks are the property of their respective owners.

nVent reserves the right to change specifications without notice.