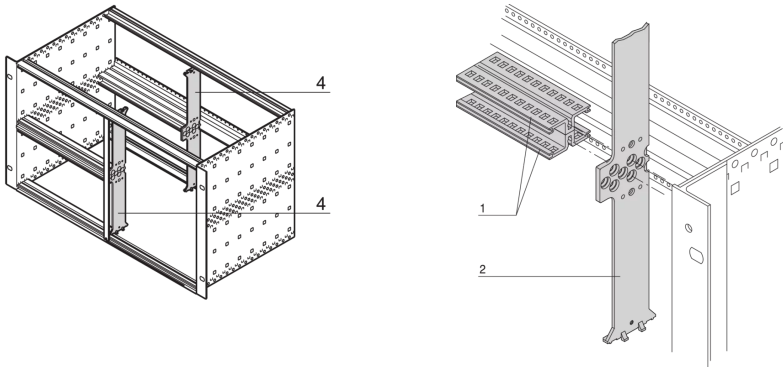


64560-010 SPLITTING EXTRUSION 6 U FOR COMBINED MOUNTING



KEY FEATURES

The support is bolted into the grid holes of the horizontal rails. The support can also be screwed on.

The front side has to be covered by a 2HP front panel

PRODUCT ATTRIBUTES

Product Type: Mounting Kit

Product Family: EuropacPRO

Type: Combined

Works With: Subracks

Rack Height: 6 U

ADDITIONAL PRODUCT DETAILS

The support is bolted into the grid holes of the horizontal-rails and allows a split of a 6 U subrack in 2 x 3 U parts.

CERTIFICATIONS



North America

All locations

+1.763.422.2661

Chat with us:

schroff.nvent.com

Europe

Straubenhardt, Germany

+49.7082.794.0

Betschdorf, France

+33.3.88.90.64.90

Warsaw, Poland

+48.22.209.98.35

Assago, Italy

+39.02.932.7141

Chat with us:

schroff.nvent.com

Asia

Shanghai, China

+86.21.2412.6943

Qingdao, China

+86.532.8771.6101

Singapore

+65.6768.5800

Shin-Yokohama, Japan

+81.45.476.0271

Chat with us:

schroff.nvent.com

Middle East & India

Dubai, United Arab Emirates

+971.4.378.1700

Bangalore, India

+91.80.6715.2001

Istanbul, Turkey

+90.216.250.7374

Chat with us:

schroff.nvent.com



Our powerful portfolio of brands:
nVent.com **CADDY ERICO HOFFMAN RAYCHEM SCHROFF TRACER**

© 2023 nVent. All nVent marks and logos are owned or licensed by nVent Services GmbH or its affiliates. All other trademarks are the property of their respective owners.

nVent reserves the right to change specifications without notice.