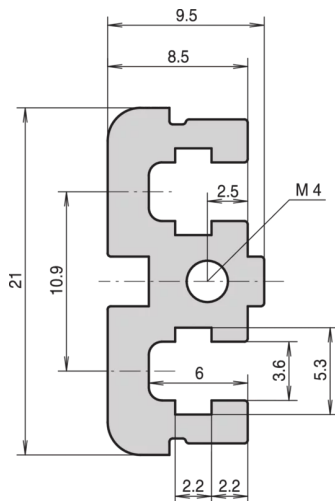
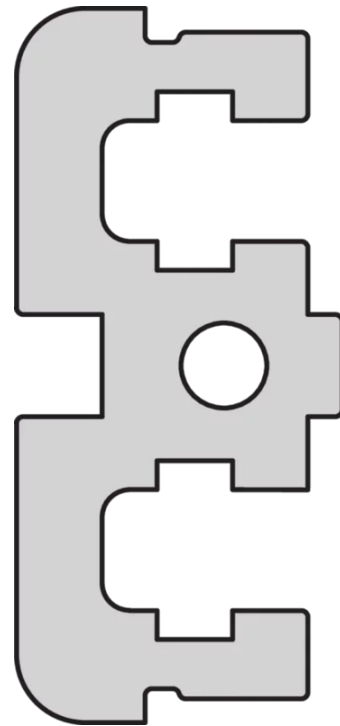
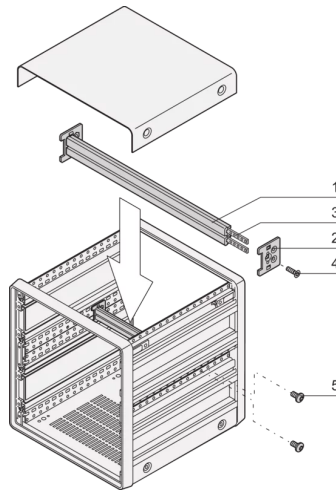
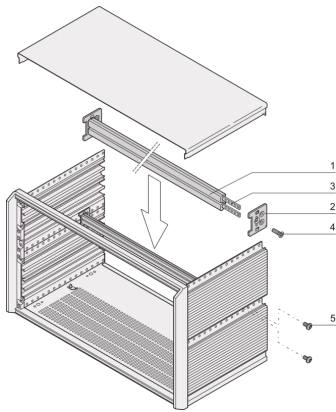


24575-474 PROPACPRO HORIZONTAL RAIL CENTER TYPE ST-C, 84 HP



**KEY FEATURES**

For 6 U CompacPRO case, to split into 2 x 3 U

Aluminum extrusion, anodized finish, conductive contact surface, with HP markings

For indirect backplane mounting (with insulation strip)

## PRODUCT ATTRIBUTES

---

Product Type: Horizontal Rail

Product Family: PropacPRO

Type: Type ST-C

Rack Width: 84 HP

Length: 431.8 mm

Package Quantity: 1

## ADDITIONAL PRODUCT DETAILS

---

The assembly kit includes a center rail and 2 adapters plus assembly material. The kit enables use in a 6 U CompacPRO, and splits the case into 2 x 3 U sections.

## CERTIFICATIONS

---



### North America

All locations  
+1.763.422.2661  
Chat with us:  
[schroff.nvent.com](https://schroff.nvent.com)

### Europe

Straubenhardt, Germany  
+49.7082.794.0  
Betschdorf, France  
+33.3.88.90.64.90  
Warsaw, Poland  
+48.22.209.98.35  
Assago, Italy  
+39.02.932.7141  
Chat with us:  
[schroff.nvent.com](https://schroff.nvent.com)

### Asia

Shanghai, China  
+86.21.2412.6943  
Qingdao, China  
+86.532.8771.6101  
Singapore  
+65.6768.5800  
Shin-Yokohama, Japan  
+81.45.476.0271  
Chat with us:  
[schroff.nvent.com](https://schroff.nvent.com)

### Middle East & India

Dubai, United Arab Emirates  
+971.4.378.1700  
Bangalore, India  
+91.80.6715.2001  
Istanbul, Turkey  
+90.216.250.7374  
Chat with us:  
[schroff.nvent.com](https://schroff.nvent.com)



Our powerful portfolio of brands:  
[nVent.com](https://nVent.com) **CADDY ERICO HOFFMAN RAYCHEM SCHROFF TRACER**

© 2023 nVent. All nVent marks and logos are owned or licensed by nVent Services GmbH or its affiliates. All other trademarks are the property of their respective owners.

nVent reserves the right to change specifications without notice.