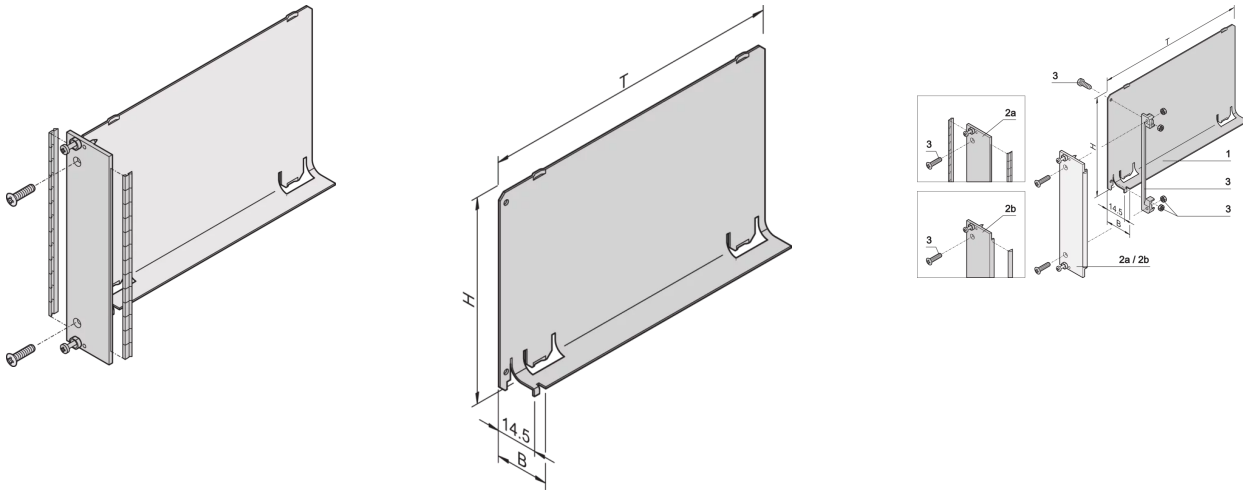


20848-720 AIR BAFFLE, FRONT PANEL, REFROFIT SHIELDING, STEEL, 6 U, 4 HP, 160 MM



**KEY FEATURES**

Air baffle eliminates air leaks from empty slots

Cover is pushed into the guide rail

**PRODUCT ATTRIBUTES**

Product Type: Air Baffle

Product Family: EuropacPRO; RatiopacPRO; RatiopacPRO AIR; CompacPRO; PropacPRO; Inpac

Type: With Front Panel

Works With: Subracks; Cases

Rack Height: 6 U

Rack Width: 4 HP

Depth: 160 mm

EMC Shielding: No (Retrofittable)

Material: Aluminum

## ADDITIONAL PRODUCT DETAILS

---

The air baffle with flat front panel covers an empty slot and eliminates an air leak. The flat front panel accepts a stainless steel EMC gasket.

Air baffle for 280-mm deep and for 80-mm rear I/O boards available on request.

## CERTIFICATIONS

---



### North America

All locations  
+1.763.422.2661  
Chat with us:  
[schroff.nvent.com](https://schroff.nvent.com)

### Europe

Straubenhardt, Germany  
+49.7082.794.0  
Betschdorf, France  
+33.3.88.90.64.90  
Warsaw, Poland  
+48.22.209.98.35  
Assago, Italy  
+39.02.932.7141  
Chat with us:  
[schroff.nvent.com](https://schroff.nvent.com)

### Asia

Shanghai, China  
+86.21.2412.6943  
Qingdao, China  
+86.532.8771.6101  
Singapore  
+65.6768.5800  
Shin-Yokohama, Japan  
+81.45.476.0271  
Chat with us:  
[schroff.nvent.com](https://schroff.nvent.com)

### Middle East & India

Dubai, United Arab Emirates  
+971.4.378.1700  
Bangalore, India  
+91.80.6715.2001  
Istanbul, Turkey  
+90.216.250.7374  
Chat with us:  
[schroff.nvent.com](https://schroff.nvent.com)



Our powerful portfolio of brands:  
[nVent.com](https://nVent.com) **CADDY ERICO HOFFMAN RAYCHEM SCHROFF TRACER**

© 2023 nVent. All nVent marks and logos are owned or licensed by nVent Services GmbH or its affiliates. All other trademarks are the property of their respective owners.

nVent reserves the right to change specifications without notice.