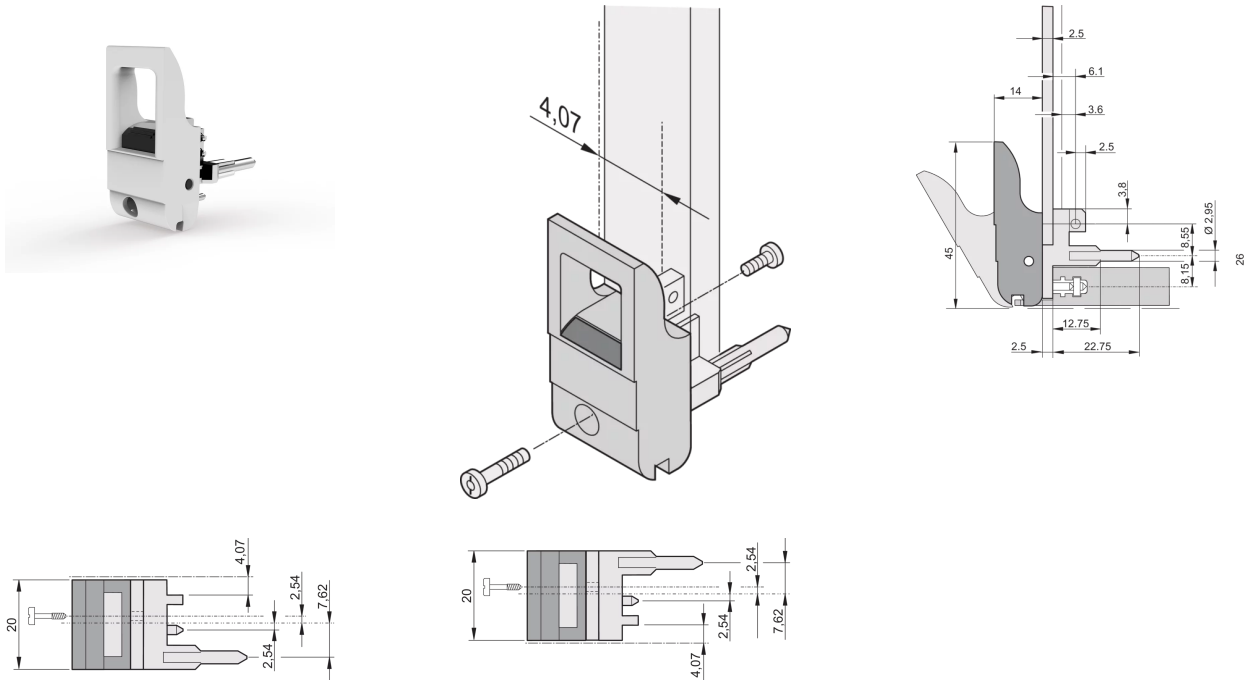


20817-660 INSERTER/EXTRACTOR HANDLE TYPE IET, GREY LEVER, BLACK BUTTON, BOTTOM, 10 PIECES



KEY FEATURES

Suitable for insertion and extraction forces up to 700 N (per pair)

In accordance with IEEE 1101.10 and IEC 60297-3-102

A microswitch can be mounted

With locking

With integrated alignment pin for perforated strip

Codeable i.a.w. IEEE 1101.10 and IEC 60297-3-103

PRODUCT ATTRIBUTES

Product Type: Handle

Type: Inserter/Extractor, Standard

Works With: Front Panels

Handle Type: IET

Material: Polycarbonate

Color: Grey

Flammability Rating: UL® 94V-0

Complies With: EN 45545-2

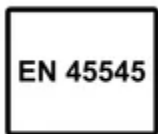
Package Quantity: 10

ADDITIONAL PRODUCT DETAILS

The inserter/extractor handle, type IET in accordance with IEEE 1101.10. Two of these handles can overcome a single lever force of 700 N (per pair).

Please order Coding pegs and Microswitch separately.

CERTIFICATIONS



North America

All locations
+1.763.422.2661
Chat with us:
schroff.nvent.com

Europe

Straubenhardt, Germany
+49.7082.794.0
Betschdorf, France
+33.3.88.90.64.90
Warsaw, Poland
+48.22.209.98.35
Assago, Italy
+39.02.932.7141
Chat with us:
schroff.nvent.com

Asia

Shanghai, China
+86.21.2412.6943
Qingdao, China
+86.532.8771.6101
Singapore
+65.6768.5800
Shin-Yokohama, Japan
+81.45.476.0271
Chat with us:
schroff.nvent.com

Middle East & India

Dubai, United Arab Emirates
+971.4.378.1700
Bangalore, India
+91.80.6715.2001
Istanbul, Turkey
+90.216.250.7374
Chat with us:
schroff.nvent.com



Our powerful portfolio of brands:
nVent.com **CADDY ERICO HOFFMAN RAYCHEM SCHROFF TRACER**

© 2023 nVent. All nVent marks and logos are owned or licensed by nVent Services GmbH or its affiliates. All other trademarks are the property of their respective owners.

nVent reserves the right to change specifications without notice.