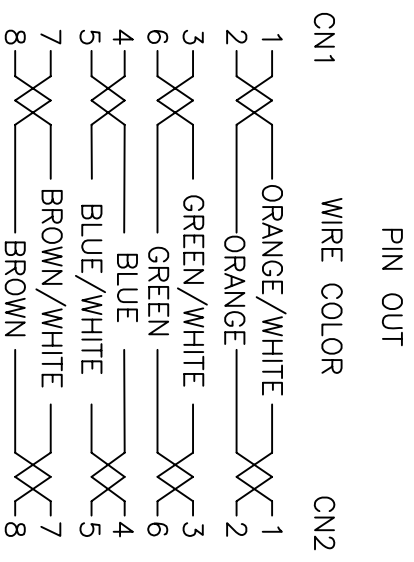


Item no.	P.U. (pc./ctn.)	color	length
21.99.1225	250	Black	0.5
21.99.1235	200	Black	1
21.99.0716	150	Black	1.5
21.99.1245	150	Black	2
21.99.1255	100	Black	3
21.99.1265	70	Black	5
21.99.1275	50	Black	7
21.99.1285	40	Black	10
21.99.1224	250	Blue	0.5
21.99.1234	200	Blue	1
21.99.0715	150	Blue	1.5
21.99.1244	150	Blue	2
21.99.1254	100	Blue	3
21.99.1264	70	Blue	5
21.99.1274	50	Blue	7
21.99.1284	40	Blue	10
21.99.1223	250	Green	0.5
21.99.1233	200	Green	1
21.99.0714	150	Green	1.5
21.99.1243	150	Green	2
21.99.1253	100	Green	3
21.99.1263	70	Green	5
21.99.1273	50	Green	7
21.99.1283	40	Green	10
21.99.0700	250	Grey	0.5
21.99.0701	200	Grey	1
21.99.0711	150	Grey	1.5

Item no.	P.U. (pc./ctn.)	color	length
21.99.0702	150	Grey	2
21.99.0703	100	Grey	3
21.99.0705	70	Grey	5
21.99.0707	50	Grey	7
21.99.0710	40	Grey	10
21.99.1221	250	Red	0.5
21.99.1231	200	Red	1
21.99.0712	150	Red	1.5
21.99.1241	100	Red	2
21.99.1251	70	Red	3
21.99.1261	50	Red	5
21.99.1271	40	Red	7
21.99.1281	250	White	0.5
21.99.1226	200	White	1
21.99.0717	150	White	1.5
21.99.1246	100	White	2
21.99.1256	70	White	3
21.99.1266	50	White	5
21.99.1276	40	White	7
21.99.1286	250	Yellow	0.5
21.99.1222	200	Yellow	1
21.99.1232	150	Yellow	1.5
21.99.0713	100	Yellow	2
21.99.1242	70	Yellow	3
21.99.1252	50	Yellow	5
21.99.1262	40	Yellow	7
21.99.1272	250	Yellow	0.5
21.99.1282	200	Yellow	1



ELECTRONIC TEST:
A.OPEN/SHORT/INTERMITTENCE: 100%.

Marking: SSTP CAT6 PATCH CABLE LSOH ISO/IEC 11801 Ed.2 EN 50288 ANS/ITIA-568-C.2 IEC 60332-1 IEC 60332-3C
MATERIAL LIST:



VALUE S/FTP(PIMF)Cable, LSOH Cat.6

NO.	PARTS NAME	SPECIFICATION DESCRIPTION
①	CABLE	SSTP [28AWG(Bare Copper)*1PR]*4+-(Al-foil)*4+braided+ LSOH OD:5.2±0.15 mm
②	R145 CONNECTOR	R145,8P&C,TWO FORK GOLD PLATED CONTACTS
③	MOLDING	METAL HOUSING
④	Package	molding pvc 1PCS/blank Polybag + sticker; 10pcs/Big bag

REMARK	NO	CHANO	SIGNATURE	DATE
DRAWN BY		WEIHAYAN		
CHECKED BY				
AUDITED BY				
CRAFT				
APPROVED BY			MORGAN	2012.11.12

SIGN	W/T	SCALE

PAGE 0F 2