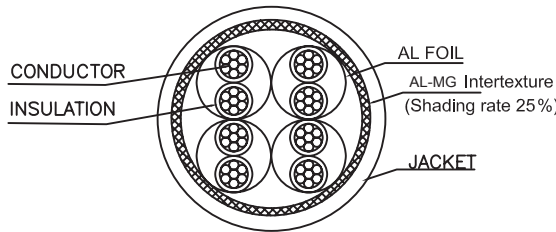
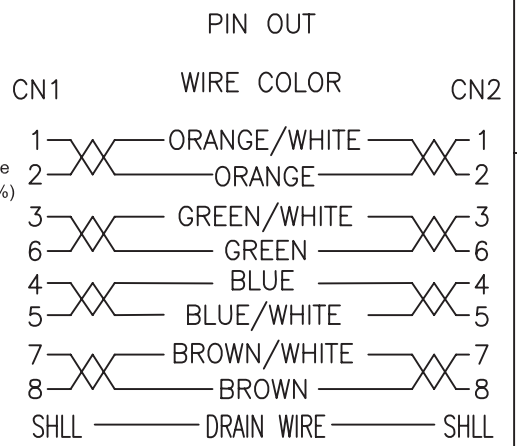


Item No.	P.U. (pc./ctn)	color	Length(M)	Tolerance (MM)	Item No.	P.U. (pc./ctn)	color	Length(M)	Tolerance (MM)
21.99.1324	250	blue	0.5	+20/-10	21.99.0800	250	grey	0.5	+20/-10
21.99.1334	200	blue	1	+/-20	21.99.0801	200	grey	1	+/-20
21.99.0815	150	blue	1.5	+/-30	21.99.0811	150	grey	1.5	+/-30
21.99.1344	150	blue	2	+/-40	21.99.0802	150	grey	2	+/-40
21.99.1354	100	blue	3	+/-60	21.99.0803	100	grey	3	+/-60
21.99.1364	70	blue	5	+/-100	21.99.0805	70	grey	5	+/-100
21.99.1374	50	blue	7	+/-100	21.99.0807	50	grey	7	+/-100
21.99.1384	40	blue	10	+/-100	21.99.0810	40	grey	10	+/-100
21.99.1325	250	black	0.5	+20/-10	21.99.1321	250	red	0.5	+20/-10
21.99.1335	200	black	1	+/-20	21.99.1331	200	red	1	+/-20
21.99.0816	150	black	1.5	+/-30	21.99.0812	150	red	1.5	+/-30
21.99.1345	150	black	2	+/-40	21.99.1341	150	red	2	+/-40
21.99.1355	100	black	3	+/-60	21.99.1351	100	red	3	+/-60
21.99.1365	70	black	5	+/-100	21.99.1361	70	red	5	+/-100
21.99.1375	50	black	7	+/-100	21.99.1371	50	red	7	+/-100
21.99.1385	40	black	10	+/-100	21.99.1381	40	red	10	+/-100
21.99.1326	250	white	0.5	+20/-10	21.99.1322	250	yellow	0.5	+20/-10
21.99.1336	200	white	1	+/-20	21.99.1332	200	yellow	1	+/-20
21.99.0817	150	white	1.5	+/-30	21.99.0813	150	yellow	1.5	+/-30
21.99.1346	150	white	2	+/-40	21.99.1342	150	yellow	2	+/-40
21.99.1356	100	white	3	+/-60	21.99.1352	100	yellow	3	+/-60
21.99.1366	70	white	5	+/-100	21.99.1362	70	yellow	5	+/-100
21.99.1376	50	white	7	+/-100	21.99.1372	50	yellow	7	+/-100
21.99.1386	40	white	10	+/-100	21.99.1382	40	yellow	10	+/-100
					21.99.1323	250	green	0.5	+20/-10
					21.99.1333	200	green	1	+/-20
					21.99.0814	150	green	1.5	+/-30
					21.99.1343	150	green	2	+/-40
					21.99.1353	100	green	3	+/-60
					21.99.1363	70	green	5	+/-100
					21.99.1373	50	green	7	+/-100
					21.99.1383	40	green	10	+/-100



ELECTRONIC TEST:
 A.OPEN/SHORT/INTERMITENCE:100%
 B.WORKING TEMPERATURES:-20 to 60°C



NO.	PART NUMBER	SPECIFICATION DESCRIPTION
1	CABLE	S/FTP (27AWG(7*0.127±0.005mm Bare Copper)*1PR+(AL-foil)) *4+braid+PVC OD:5.2±0.3mm COLOR:As above listed
2	RJ45 CONNECTOR	S/FTP CAT6 RJ45,8P8C,6U" TWO FORK GOLD PLATED CONTACTS METAL HOUSING
3	MOLDING	MODLING PVC, COLOR:As above listed

Marking: SSTP PATCH CORD 27AWG 4P ISO/IEC 11801 AND ANSI/TIA - 568-C.2 CAT6

Item No.				
REMARK: NO	CHA NO	DESC	VALUE S/FTP Cat. 6 Patch Cord	
DRAWN BY	WEIHAIYAN	SECOMP		
APPROVED BY	MORGAN			
DATE	2018.06.29			