



Datenblatt - Fiche technique - Data sheet

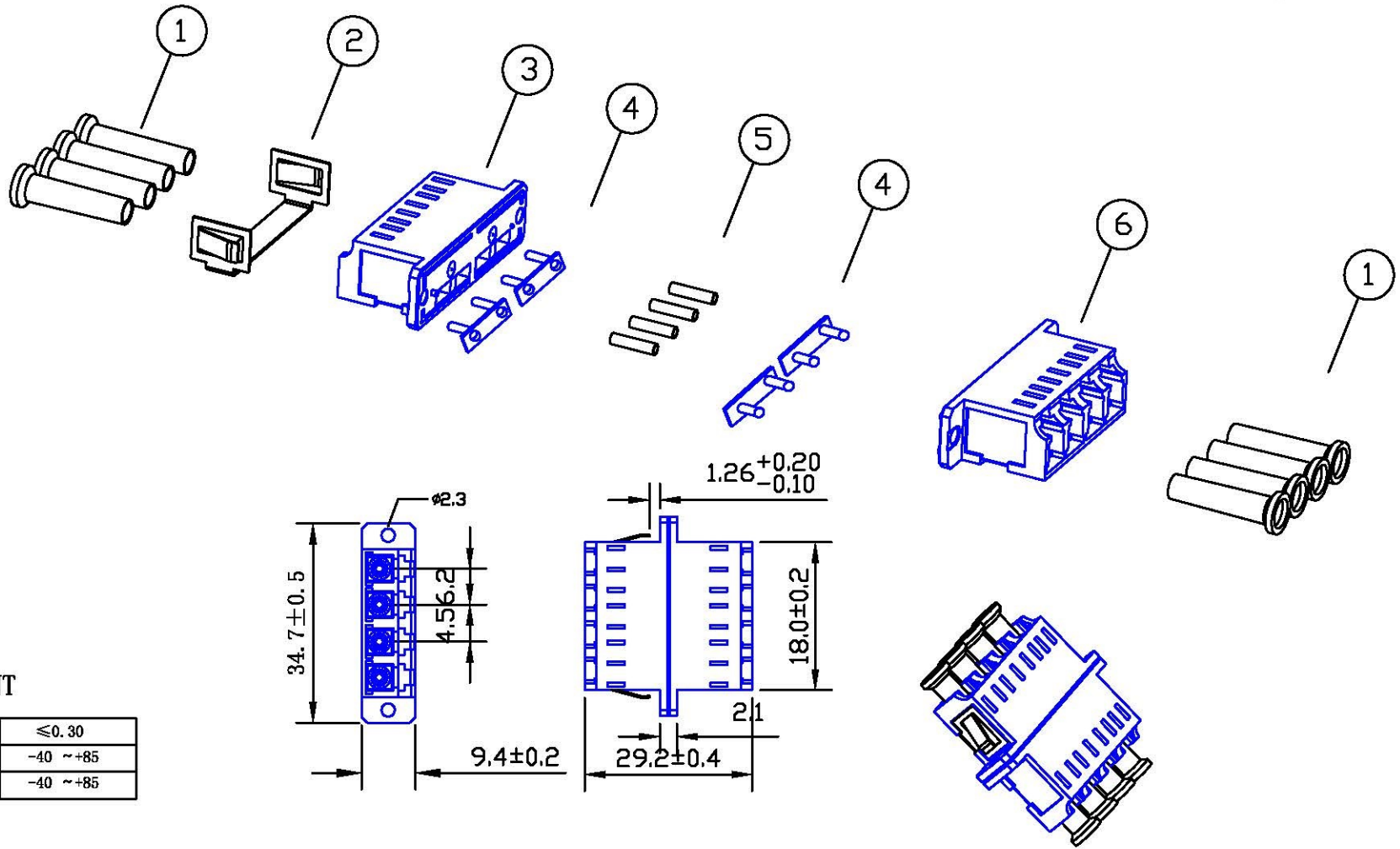
21.99.0662



VALUE LWL-Kupplung LC vierfach, OS2, Z

VALUE Coupleur FO LC quadruple, OS2, Z

VALUE Fibre Optic Adapter LC quadruple, OS2, Z



NOTE:
RoHS & Reach COMPLIANT

| | |
|----------------------------|----------|
| Insertion Loss(dB) | ≤0.30 |
| Operating Temperature(° C) | -40 ~+85 |
| Storage Temperature(° C) | -40 ~+85 |

MATERIAL LIST:

| | | | |
|-----|---|-------|--------|
| ⑥ | LC Blue Body Quad (SC Duplex footprint) | 1pcs | |
| ⑤ | LC Sleeve ceramic(Single-Mode) | 4pcs | |
| ④ | Blue bush | 4pcs | |
| ③ | LC Blue Body Quad (SC Duplex footprint) | 1pcs | |
| ② | Metal Mount | 1pcs | |
| ① | LC White Dustcap | 8pcs | |
| NO. | SPECIFICATION STANDARD | QT' Y | REMARK |

| | |
|--|------------|
| VALUE Fiber Optic Adapter, LC Quad, Singlemode, blue color | |
| Item No. | 21.99.0662 |

| | | | | | | | | |
|----|-----|-------------------------------|------------|------|-----------------|---------|--------|------------|
| | | | UNIT | MM | rotronic | | | |
| | | NEW | 2013-08-30 | A | DRAWNBY | CHECKBY | APPOBY | DATE |
| BY | CHK | REVISION RECORD MODIFICATIONS | DATE | REV. | | | | 2013-08-30 |