

# TVGP-M01-0201-PTZ-G

TruVision 2MP Compact IP PTZ camera, H.265+, 50 m IR, 10x zoom, PoE+ / 12 VDC, PSU incl.

## Overview

---

TVGP-M01-0201-PTZ-G is a compact Pan Tilt Zoom IP camera for use in both indoor and outdoor installations. The camera's 2 megapixel resolution combined with excellent low light capabilities ensures you capture the required level of detail at all times.

The camera is fully programmable, with up to 300 preset tours.

The 8-zone privacy mask feature allows these cameras to block out sensitive areas. In addition, the variety of intelligence features and analytics adds substantial value and enhanced performance to any video system.

## Video intelligence

---

The camera comes with a various built-in intelligent video features like line crossing detection, intrusion zone detection, region entry/exit detection and more. Some of these intelligence features can be refined further by adding person/vehicle classification to filter out unwanted events which automatically results in more efficient alarm event and storage management.

## Technology

---

The camera features H.265+ compression to optimize its bandwidth and storage requirements. At the same time, H.264 which is also supported, allows the camera to be connected to legacy installations where needed.

ONVIF, PSIA and CGI command sets ensure that this camera can also be easily connected to virtually any video surveillance system.



## Details

---

- 2MP resolution
- 10x optical zoom, 16x digital zoom
- IR illumination up to 50 m
- Video intelligence with person/vehicle target classification
- Built-in microphone and speaker, audio alarms supported
- Flashing white alarm LED
- H.265+ compression
- Direct ceiling mount only

# TVGP-M01-0201-PTZ-G

TruVision 2MP Compact IP PTZ camera, H.265+, 50 m IR, 10x zoom, PoE+ / 12 VDC, PSU incl.

## Technical specifications

### General

Technology	IP
Video standard	NTSC, PAL
OSD	Text Overlay
Privacy masking	24 programmable polygon privacy masks, mask color or mosaic configurable
Software compatibility	TruVision Navigator, TVRmobile, Web Browser
Plugin-free web browser support	Google Chrome, Mozilla Firefox

### Camera

Sensor size	1/1.8"
Max. resolution	2 MP
Sensor scan	Progressive
Sensor type	CMOS
Digital S/N ratio	≥55 dB
Shutter time	1/1 to 1/30,000 s

### Lighting performance

WDR type	True WDR
WDR	120 dB
Day/night	True Day/Night
Motorized IR cut filter	Yes
Color sensitivity	Color: 0.005 Lux @ (F1.3, AGC ON), B/W: 0.001 Lux @ (F1.3, AGC ON), 0 Lux with IR
Infrared (IR)	Yes
IR range	50 m
IR wavelength	850 nm

### Encoding

Video streams	3
Main stream compression	H.264, H.264+, H.265, H.265+
Sub stream compression	H.264, H.265, MJPEG
Third stream compression	H.264, H.265, MJPEG
Video bit rate	32 to 16 Mbps
Main stream resolutions	1280 x 720 (XVGA), 1280 x 960 (720p), 1920 x 1080 (1080p)
Sub stream resolutions	352 x 288 (CIF), 640 x 480 (VGA), 704 x 576 (4CIF)
Third stream resolutions	1280 x 720 (XVGA), 1280 x 960 (720p), 1920 x 1080 (1080p), 352 x 288 (CIF), 640 x 480 (VGA), 704 x 576 (4CIF)
Max. resolution @ fps	1920 x 1080 @ 25 fps

### Lens

Focal length	2.8 to 28 mm - Horizontal FoV 108 to 19.8°, vertical FoV 56.4 to 11.5°
f-stop	Max. F1.3
Auto iris	Yes
Auto focus	Yes
Motorized zoom	Yes

### Pan/ tilt / zoom

Pan	Pan speed: configurable from 0.1 to 60°/s; preset speed: 60°/s
Tilt	Tilt speed: configurable from 0.1 to 50°/s, preset speed 50°/s
Endless pan	No, pan range 355°
Auto flip	No
Optical zoom	10x
Digital zoom	16x
Preset positions	300
Preset tours	8

### Network

Network interface	RJ-45 10/100 Mbps self-adaptive Ethernet interface
Integration	CGI, ISAPI, ONVIF Profile G, ONVIF Profile S, ONVIF Profile T, SDK
Supported network protocols	802.1x, Bonjour, DDNS, DHCP, DNS, ezDDNS, FTP, HTTP, HTTPS, ICMP, IGMP, IPv4, IPv6, NTP, PPPoE, RTCP, RTP, RTSP, SNMP, TCP/IP, UPnP
Simultaneous live view	Up to 20 channels

### Audio

Audio compression	G.711, G.722.1, G.726, MP2L2, PCM
Audio in	1 built-in microphone
Audio out	1 built-in speaker, pre-defined and custom audio alarms supported
Audio bit rate	64 Kbps (G.711)/16 Kbps (G.722.1)/16 Kbps (G.726)/32-192 Kbps (MP2L2)

### Alarm I/O

Alarm inputs	1
Alarm outputs	1 relay output, 12 VDC power output of max. 0.7 W, flashing white alarm LED, audio alarms
Alarm I/O connection	Individual wires

### Storage

Local storage type	Built-in memory card slot, support microSD/SDHC/SDXC card
Max. SD card capacity	256 GB

### Video intelligence

Alarm trigger	HDD error, HDD full, Invalid login, IP address conflict, Network disconnected
ROI	8 fixed regions for each stream
Smart event	Audio exception detection, Face capture, Intrusion detection, Line crossing detection, Motion detection, Object removal detection, Region entrance detection, Region exiting detection, Unattended baggage detection
Intelligence options	Face capture: can detect up to 30 faces simultaneously. Supports detecting, capturing, grading, selecting of faces in motion, and generates the best face picture. Person/vehicle filtering: these options can be configured on line crossing, intrusion detection, region entry/exit detection.

# TVGP-M01-0201-PTZ-G

TruVision 2MP Compact IP PTZ camera, H.265+, 50 m IR, 10x zoom, PoE+ / 12 VDC, PSU incl.

## Electrical

Operating voltage	12 VDC, PoE (802.3at) 12 VDC adapter included (without mains lead)
Power consumption	Max. 24 W

## Physical

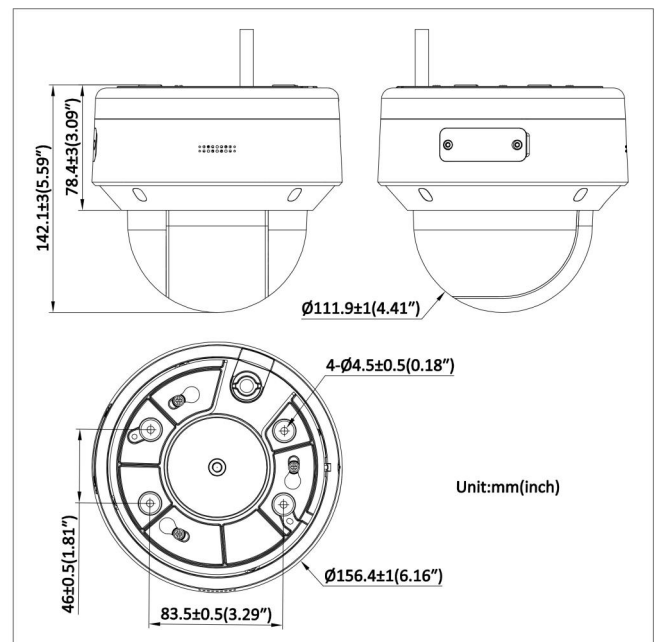
Physical dimensions	Ø 156.4 × 142.1 mm Ø 6.16 × 5.59 in.
Net weight	Approx. 1.90 kg Approx. 4.19 lb.
Colour	Grey (Pantone 428c)
Material	Metal
Form Factor	PTZ
Mount	Ceiling mount

## Environmental

Operating temperature	-30 to 65°C -22 to 149°F
Relative humidity	90% or less, noncondensing
IP rating	IP66

## Regulatory

Compliance	CE, EMC, FCC, RCM, REACH, RoHS 3, UKCA, UL, WEEE
------------	--



As a company of innovation, Kidde Global Solutions reserves the right to change product specifications without notice. For the latest product specifications, visit [firesecurityproducts.com](http://firesecurityproducts.com) online or contact your sales representative.

Last updated on 28 November 2024 - 10:01