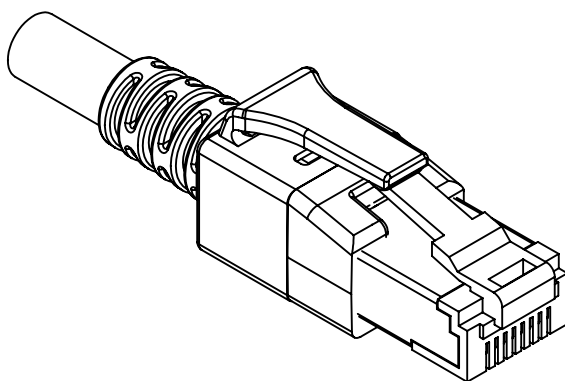


# Technical Datasheet

## *EasyLan<sup>®</sup> Patch Cord DualBoot<sup>®</sup> LED Cat.6 ISO/IEC*

**Article No. : see on page 3**



d c b a	Änderung Änderung Änderung Neuerstellung	11.11.2021 22.07.2020 22.08.2019 25.09.2018	MW LP LP LP	drawn	25.09.2018	LP	 <b>EasyLan<sup>®</sup></b> ...for a better connectivity	
				appr.	25.09.2018	MJ		
				Titel: EasyLan <sup>®</sup> Patch Cord DualBoot <sup>®</sup> LED Cat.6 ISO/IEC				Dimensions: mm
				Drawing Number: <b>ZN-CU181490</b>				Original: DIN A4
Index	Revision Code	Date	Name				Sheet 1 of 3	

# Technical Data

<b>General Data</b>	
Connection	1:1
Colors	white, black, gray, red, yellow, green, blue, turquoise, violet, orange
Identification possibility	Colorclips (Order No.: CSZC11BOX)
<b>Cable Characteristics</b>	
Cable type	S/FTP
Number twisting elements	4P+1
Twisting elements	Pair
Configuration	LSHF (LSOH) acc. EN50290-2-27
Braid	AWG26/7
Category	Cat. 6 ISO/IEC
Shielding	shielded
<b>Connector Characteristics</b>	
Housing material	Polycarbonate
Pin plating	Au (Gold)
<b>Environmental Conditions</b>	
Temperature range during operation	-25°C to + 60°C
Temperature range during installation	0°C to + 50°C
<b>Approvals</b>	
RoHS	conform
<b>Standards</b>	
General requests	ISO/IEC 11801 Ed.2.2: 2011-06 DIN EN 50173-1: 2011-09 TIA/EIA 568-C.2 DIN EN IEC 60332-3-24
Plug	DIN EN 60603-7
<b>Transmission Characteristics</b>	
Category (ISO)	6
Category (TIA)	6
Remote powering	yes
PoE	IEEE 802.3af
PoE +	IEEE 802.3at
PoE ++	IEEE 802.3bt
UPoE	yes
HDBaseT	yes
Bit rate up to 10 GBit	IEEE 802.3an

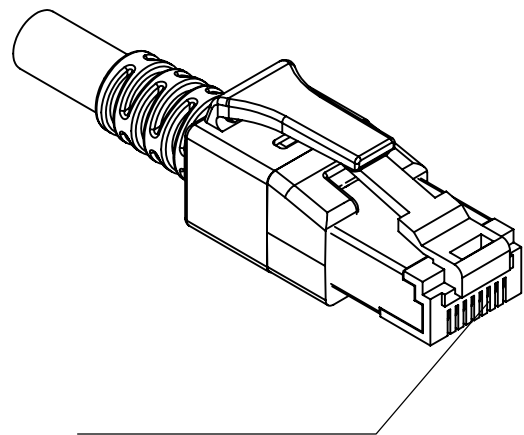
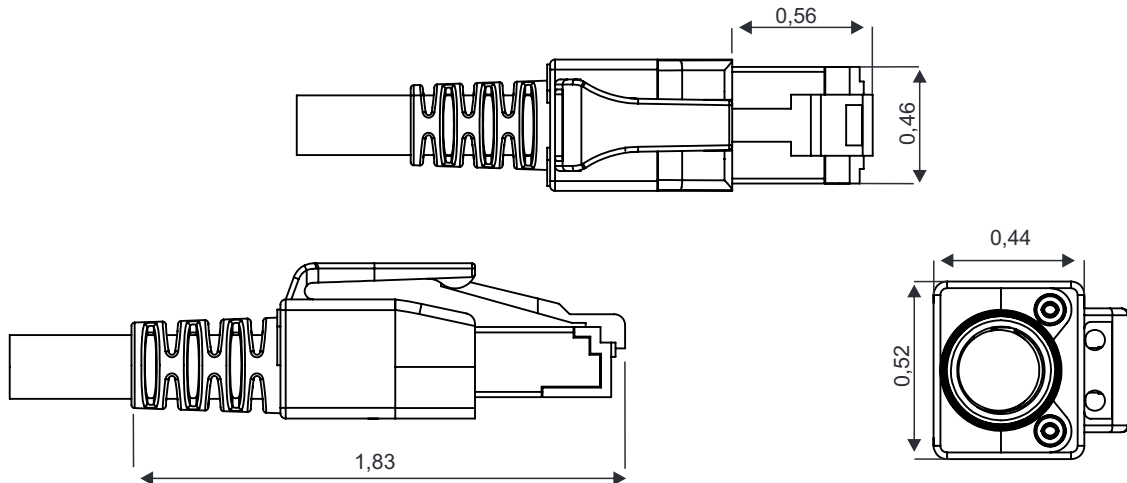
All rights reserved ZVK GmbH D-94244 Teisnach Technologicampus 2 Germany Phone: +49 9923 804379-0 Fax: +49 9923 804379-50 www.zvk-gmbh.de

<small>d</small> <small>c</small> <small>b</small> <small>a</small>	Änderung	11.11.2021	MW	drawn	25.09.2018	LP	 <b>EasyLan®</b> ...for a better connectivity	
	Änderung	22.07.2020	LP	appr.	25.09.2018	MJ		
	Änderung	22.08.2019	LP	Titel: <b>EasyLan® Patch Cord DualBoot® LED</b> <b>Cat.6 ISO/IEC</b>				
	Neuerstellung	25.09.2018	LP	Drawing Number: <b>ZN-CU181490</b>				
Index	Revision Code	Date	Name				Dimensions: mm Original: DIN A4 Sheet 2 of 3	

# Technical Data

<b>Electrical Characteristics</b>	
Loop resistance	290 Ω/km
Insulation resistance	≥5000 MΩ*km
Characteristic impedance	100 ± 3Ω
Propagation delay	10ns / 100m
<b>Packaging Unit</b>	0,1 m - ≤5,0 m = 5 pcs >5,0 m = 1 pc

## Drawing



Dimensions RJ45  
according to IEC 60603-7

Color	Bestellcode / Order Code
white	CS1OWCDCD0000*
black	CS1OSDCDCD0000*
gray	CS1OACDCDCD0000*
red	CS1ORCDCDCD0000*
yellow	CS1OYCDCDCD0000*
green	CS1OGCDCDCD0000*
blue	CS1OBCDCDCD0000*
turquoise	CS1OTCDCDCD0000*
violet	CS1OVCDCDCD0000*
orange	CS1OOCDCDCD0000*

\*Längenangabe in dm / Length in dm  
e.g. 0010 = 1 m

d c b a	Änderung Änderung Änderung Neuerstellung	11.11.2021 22.07.2020 22.08.2019 25.09.2018	MW LP LP LP	drawn	25.09.2018	LP
				appr.	25.09.2018	MJ
				Titel: <b>EasyLan® Patch Cord DualBoot® LED          Cat.6 ISO/IEC</b>		
				Drawing Number: <b>ZN-CU181490</b>		
Index	Revision Code	Date	Name	 <b>EasyLan®</b> ...for a better connectivity		
Dimensions: mm						
Original: DIN A4						
Sheet 3 of 3						