

SCRAMBLER DUCATI

CITY CROSS-E X

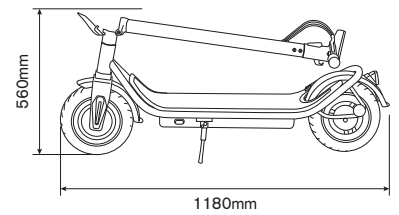
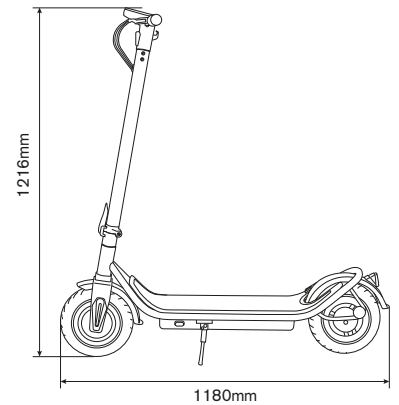
electric scooter

Street Edition - Total Black



Equipped with turn signal lights

Download the Ducati Urban e-Mobility app for a better use of the product



Save activation of turn signals



Double brake lever



Powerful front LED light

Technical specifications

Product Sku: **DU-MO-220005**

Ean Code: **8056711530741**

Basic info	
Frame material	aluminum and steel
Speed*	ECO: <= 6km/h D:<= 15km/h S: <= 25km/h (max speed)
Maximum gradient**	18%
Brakes	front and rear drum brakes, KERS
Motor Power	350W, 17Nm
Tyres	10" Street tubeless
Low voltage protection	31V +/- 0.5V
Current limit	18A
Motor type	brushless
Max load	150kg
Riding Requirements	consult the laws and regulations currently in force in your country.
Working Temperature	0°C / 45°C
Level of protection	IPX5
Charging time	around 5 hours
Range**	up to 45km

Electric system	
Motor	350W brushless, Peak Power 550W
Display	integrated LED display
Battery	36V, 12.5Ah, 450Wh
Lights	LED front and rear lights
Charger	EU Standard DC2.1 Charger, 42V 1.5A
Bluetooth	connection through user app

Dimensions and Weights	
Net weight	19kg
Gross weight	23kg
Unit size	1180 x 520 x 1216mm
Folding size	1180 x 520 x 560mm
Carton size	1190 x 220 x 580mm

* Always respect the highway code and the regulations in force in the country of use.
** Subject to variations based on driver weight, road conditions and temperature.