

**ROLINE USB4 Type C Enclosure,
40Gbit/s M.2 NVME SSD**

16.01.4149

User Manual

Ver. 1.00

**All brand names and trademarks are
properties of their respective owners.**

1 Introduction

1.1 Introduction

This is a portable USB NVMe SSD enclosure that enables ultra-fast file transfer speeds for backup or external storage applications. Utilizing the latest USB4 technology, this device can deliver up to 40 Gbps bandwidth. The toolless mechanical design improves ease of use when installing M.2 SSDs, and the aluminum enclosure provides excellent thermal performance for reliable and durable operation.

1.2 Features

- Supports USB4 Gen3x2 Type-C host connection of up to 40Gbps
- Backwards compatible with USB 3.2 and USB 2.0
- Supports BOT and UAS protocols
- Supports PCIe Gen 4x4 NVMe SSD at 2280 / 2260 / 2242 / 2230 M.2 form factor
- Bus-powered device
- Supports USB Power Delivery over Type-C
- Toolless design for trouble-free M.2 SSD drive installation
- Aluminum housing acts as large heat sink for the SSD drive
- Plug-n-play, no installation of software driver is needed
- Compatible with Thunderbolt 3 and 4 host

1.3 Systems Requirements

Supported operating systems (both 32 and 64 bits):

- Windows 11/10/8.x/7
- Linux
- Apple macOS X

1.4 Product Diagram



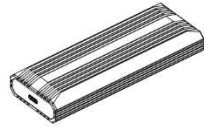
1.5 Package Contents

- USB4 40Gbps NVMe SSD Enclosure
- USB4 Cable, C-C, ca. 30cm
- Thermal Pad
- User Manual

2 Getting Started

2.1 Hard Drive Installation

Follow the steps to install the SSD.

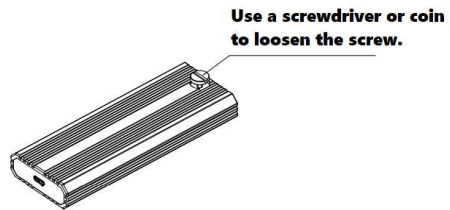


Front

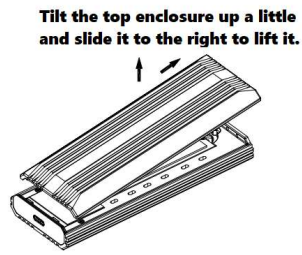


Back

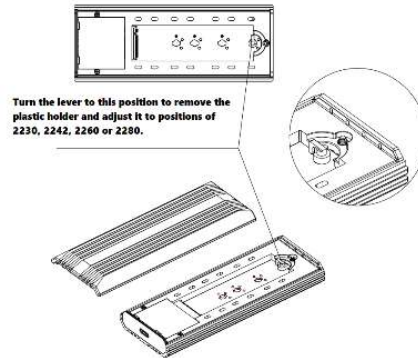
1. Remove the screw first. Use a screwdriver or coin to loosen the screw.



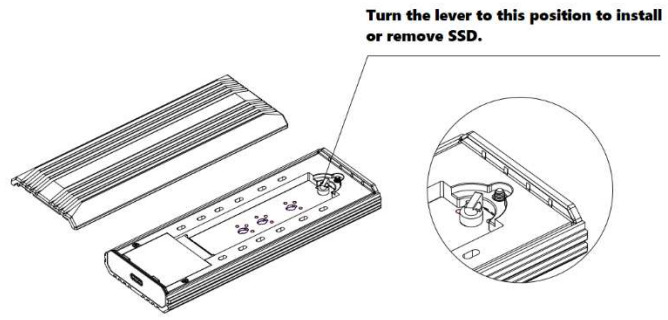
2. Tilt up to lift the enclosure. Tilt the top enclosure up a little and slide it to the right to lift it.



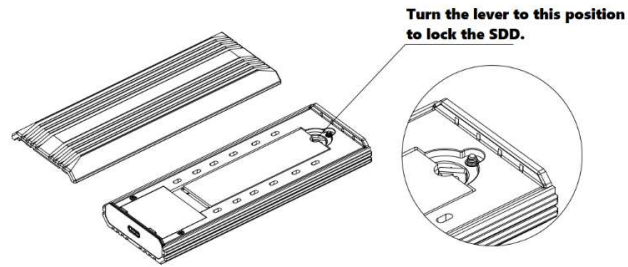
3. Insert the SSD, and then turn the lever clockwise towards the notch. Turn the lever to this position to remove the plastic holder and adjust it to positions of 2230, 2242, 2260 or 2280.



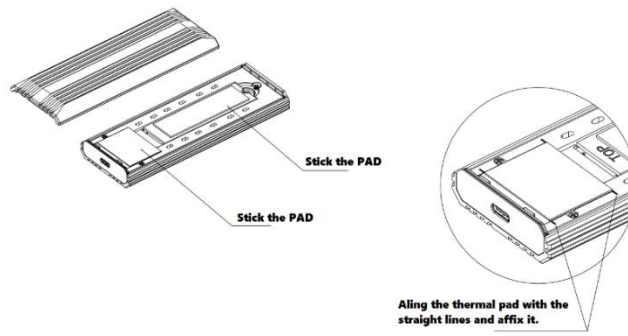
4. Turn the lever to this position to install or remove the SSD.



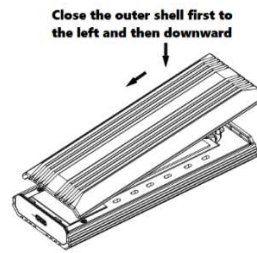
5. Turn the lever to this position to lock the SSD:



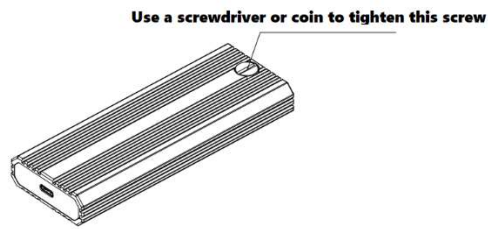
6. Affix the thermal pad. Align the thermal pad with the straight lines and affix it.



7. Tilt down to install enclosure. Close the outer shell first to the left and then downwards.



8. Install the screws. Use a screwdriver or coin to tighten this screw.



9. The Enclosure Kit is now assembled and ready for connection to a computer.

Warning!

Since this model is an USB4 device, which is very fast and gets hot, it is designed with a heat dissipation function. Please be sure to remove the sticker on the product before use, so not to affect heat dissipation and trigger the protection mechanism to slow down the speed.