



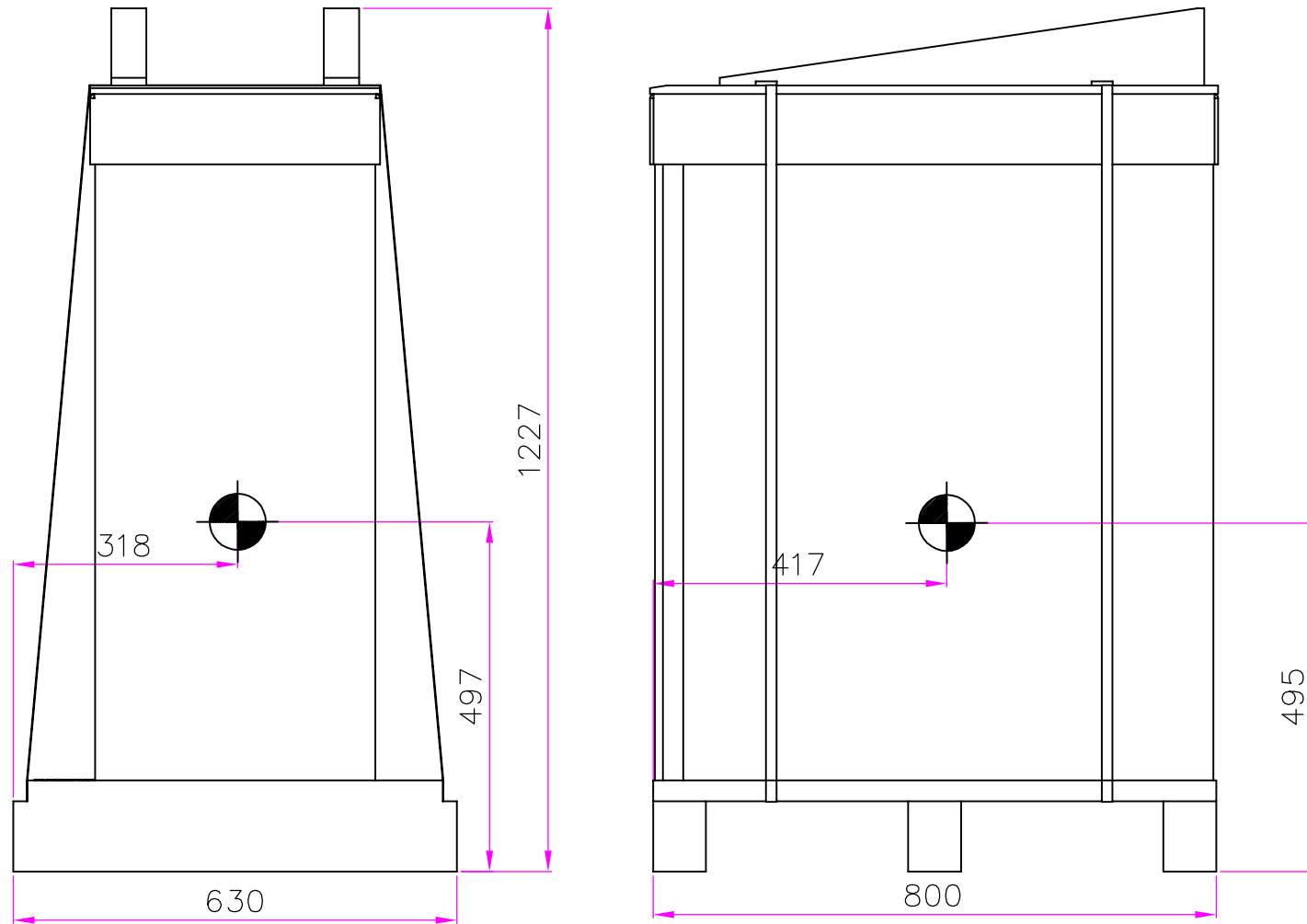
Powering Business Worldwide

SITE PLANNING DATA 93PS 8-10kW

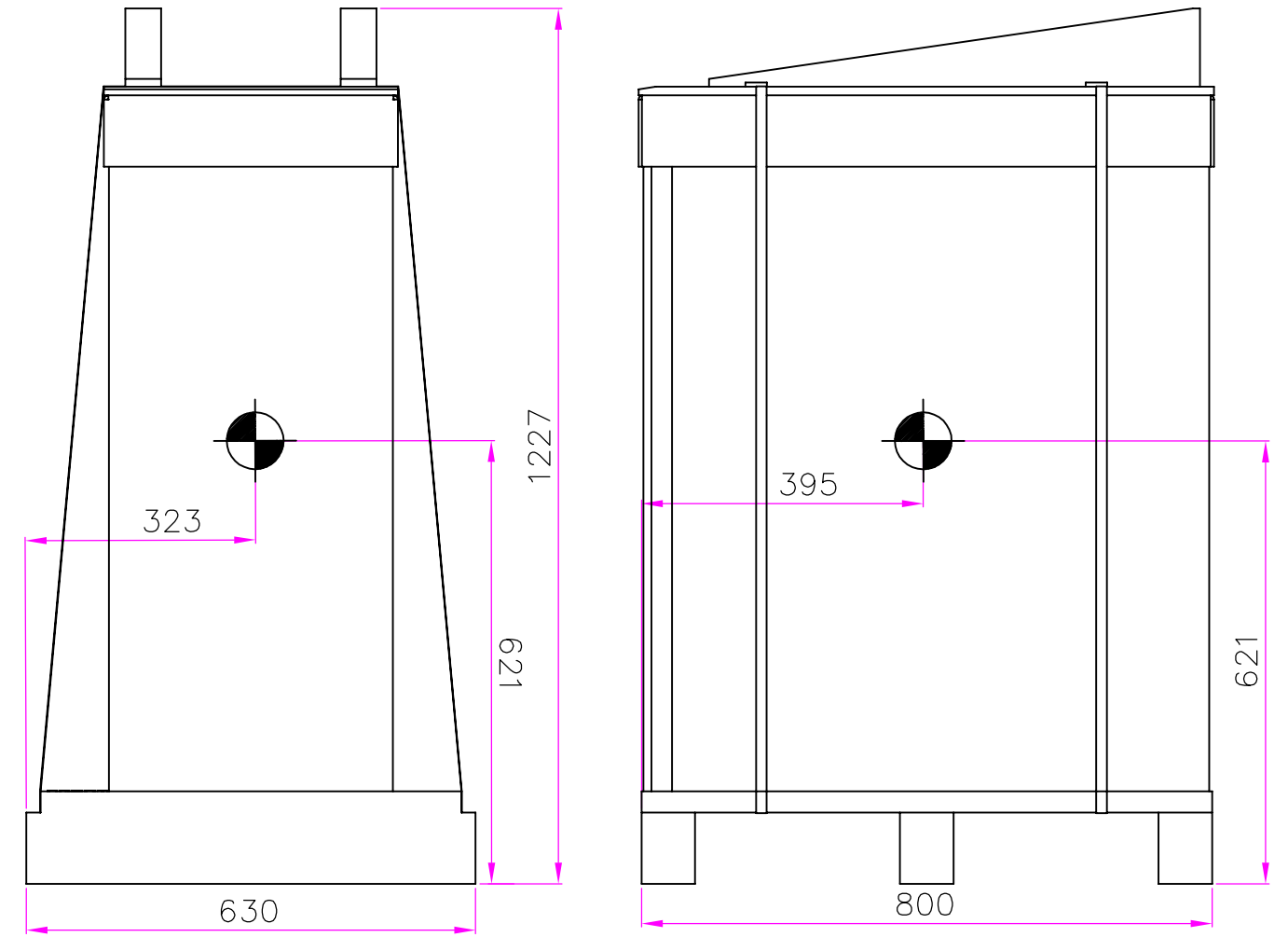
Page 1	Packaging Dimensions
Page 2	Dimensional Drawings
Page 3	COG and Clearance Dimensions
Page 4	Customer Connections
Page 5	Electrical Wiring of Single Unit
Page 6	Electrical & Signal Wiring of Parallel Units
Page 7	Product Specifications



METRIC		THIRD ANGLE PROJECTION		EATON CORPORATION			
DIMENSIONS ARE IN MILLIMETERS AFTER PLATING, DIMENSIONS AND TOLERANCES IN ACCORDANCE WITH ASME Y14.5M-1994. SEE NOTES FOR TOLERANCES.							
DESCRIPTION: 93PS 8-10KW							
ORIGINATED: Atif Rasheed	4.10.2017	ECO:	NAME:	REVISION: 001	SIZE: A2		
MODIFIED:				STATE:	SCALE: 1:1		
CHECKED:		DOCUMENT TYPE:	P-110000601	RELEASED:	SHEET:		
SAFETY:		AUTOCAD DRAWING		OF			
APPROVED:							
<small>EATON CORPORATION - CONFIDENTIAL AND PROPRIETARY NOTICE TO PERSONS RECEIVING THIS DOCUMENT AND/OR TECHNICAL INFORMATION THIS DOCUMENT, INCLUDING THE DRAWING AND INFORMATION CONTAINED THEREIN, IS CONFIDENTIAL AND IS THE EXCLUSIVE PROPERTY OF EATON CORPORATION, AND IS LOANED TO YOU AND SUBJECT TO RECALL BY EATON AT ANY TIME. BY YOUR POSSESSION OF THIS DOCUMENT, THE RECIPIENT ACKNOWLEDGES AND AGREES THAT THIS DOCUMENT CANNOT BE USED IN ANY MANNER ADVERSE TO THE INTERESTS OF EATON AND THAT NO PORTION OF THIS DOCUMENT MAY BE COPIED OR OTHERWISE REPRODUCED WITHOUT THE PRIOR WRITTEN CONSENT OF EATON. IN THE CASE OF CONFLICTING CONTRACTUAL PROVISIONS, THIS NOTICE SHALL GOVERN THE SOURCE OF THIS DOCUMENT. © 2011 Eaton Corporation - All Rights Reserved.</small>							



COG dimensions with internal batteries



COG dimensions without internal batteries

Notes:

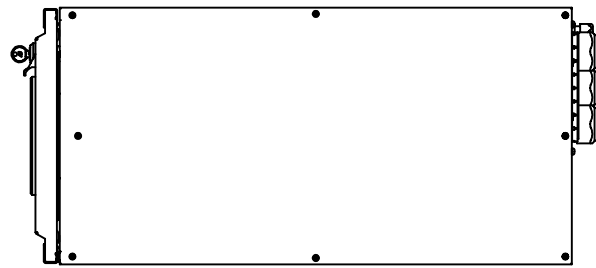
1. The COG dimensions are approximated values with Pallet and packaging including Batteries and without Batteries.
2. The COG dimensions of UPS cabinet with package are X=318mm, Y=417mm, Z=495mm including Batteries and X=323mm, Y=395mm, Z=621mm without Batteries.
3. Store the unit in dry and clean environment. Protect the unit from high humidity, rain or other direct exposure to water and also protect it from exposure to dirt and dust.
4. Optimal storing temperature for the unit without batteries is +15°C to +30°C and for batteries +20°C to +25°C.
5. Unites without batteries can be stored in -25°C to +55°C without risk of remediate damaging.
6. Storing batteries above +25°C will shorten the battery lifetime.
7. Batteries can be stored for six months without charging in temperature +20°C to +25°C, but batteries should not be stored uninstalled more than absolute necessary.
8. If batteries are stored above +25°C then batteries should be charged every four months.
9. Storing batteries longer than recommended without charging can harm the battery permanently.

Product Specifications				
UPS Rating		Shipping Dimensions WXDXH	Approx. Weight Shipping with Batteries	Approx. Weight Shipping without Batteries
KVA	KW	MM	Kg	Kg
8-10	8-10	630X800X1230	188	98

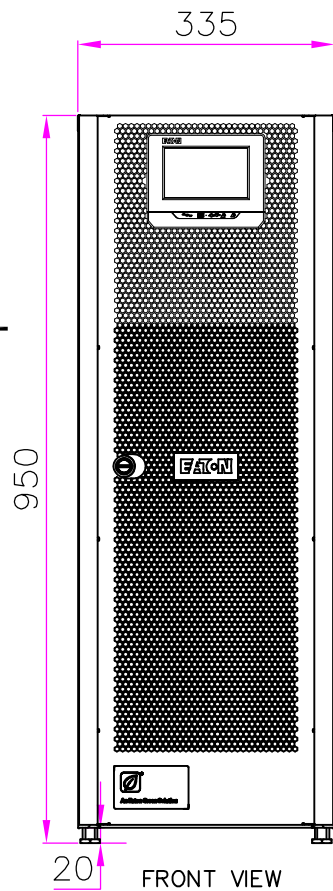
METRIC		THIRD ANGLE PROJECTION		EATON CORPORATION		EATON	
DIMENSIONS ARE IN MILLIMETERS AFTER PLATING, DIMENSIONS AND TOLERANCES IN ACCORDANCE WITH ASME Y14.5M-1994. SEE NOTES FOR TOLERANCES.							
DESCRIPTION: 93PS 8-10KW Packaging Dimensions							
ORIGINATED: HUOTARI J.	25.08.2017	ECO:	NAME:	REVISION: 001	SIZE: A2		
CHECKED: Atif Rasheed	4.10.2017	DOCUMENT TYPE: AUTOCAD DRAWING	P-110000601	STATE: RELEASED	SCALE: 1:8		
APPROVED:					SHEET: 1 OF 7		

NOTICE TO PERSONS RECEIVING THIS DOCUMENT AND/OR TECHNICAL INFORMATION
 THIS DOCUMENT, INCLUDING THE DRAWING AND INFORMATION CONTAINED THEREIN, IS CONFIDENTIAL AND IS THE EXCLUSIVE PROPERTY OF EATON CORPORATION, AND IS LOANED TO YOU BY EATON AT ANY TIME. BY YOUR POSSESSION OF THIS DOCUMENT, THE RECIPIENT ACKNOWLEDGES AND AGREES THAT THIS DOCUMENT CANNOT BE USED IN ANY MANNER ADVERSE TO THE INTERESTS OF EATON AND THAT NO PORTION OF THIS DOCUMENT MAY BE COPIED OR OTHERWISE REPRODUCED WITHOUT THE PRIOR WRITTEN CONSENT OF EATON. IN THE CASE OF CONFLICTING CONTRACTUAL PROVISIONS, THIS NOTICE SHALL GOVERN THE SOURCE OF THIS DOCUMENT.
 © 2011 Eaton Corporation - All Rights Reserved.

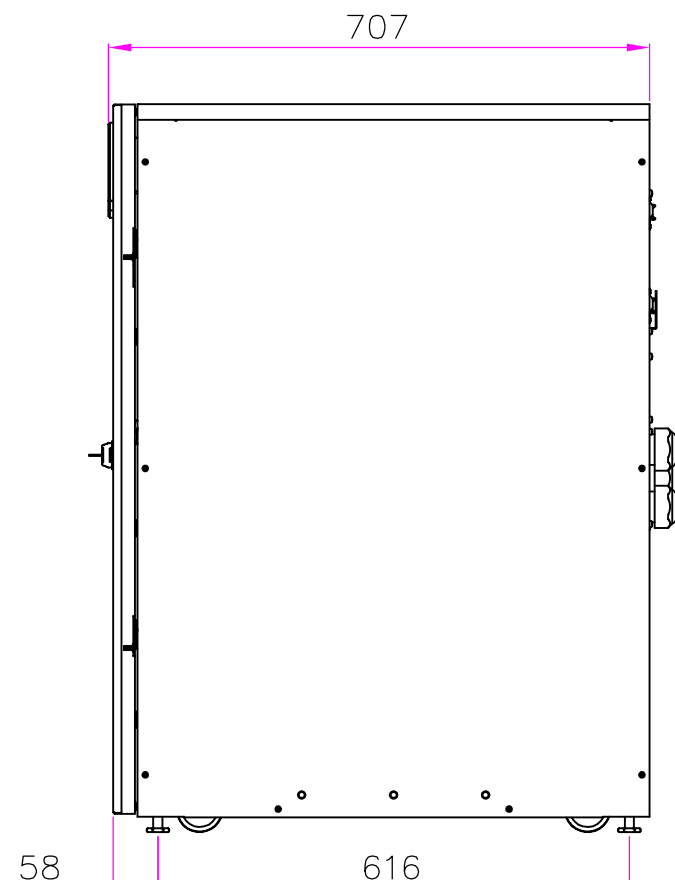
Product Specifications										
UPS Rating		Max Heat Dissipation at 100% Load	Cabinet Dimensions W X D X H	Shipping Dimensions W X D X H	Approx. Weight Cabinet With Batteries	Approx. Weight Cabinet without Batteries	Approx. Weight Shipping with Batteries	Approx. Weight Shipping without Batteries	Floor Landing	Min. air flow for internal batteries
KVA	KW	W	MM	MM	Kg	Kg	Kg	Kg	Kg/m ²	m ³ /H
8	8	325	335 x 750 x 950	630X800X1230	163	73	188	98	700	1.5
10	10	406	335 x 750 x 950	630X800X1230	163	73	188	98	700	1.5



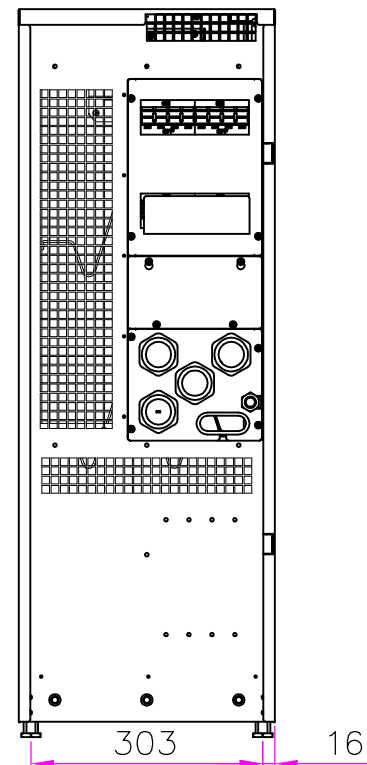
TOP VIEW



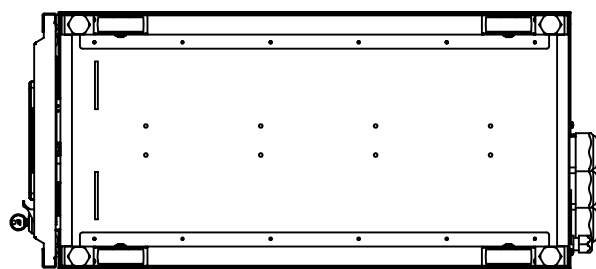
FRONT VIEW



RIGHT VIEW

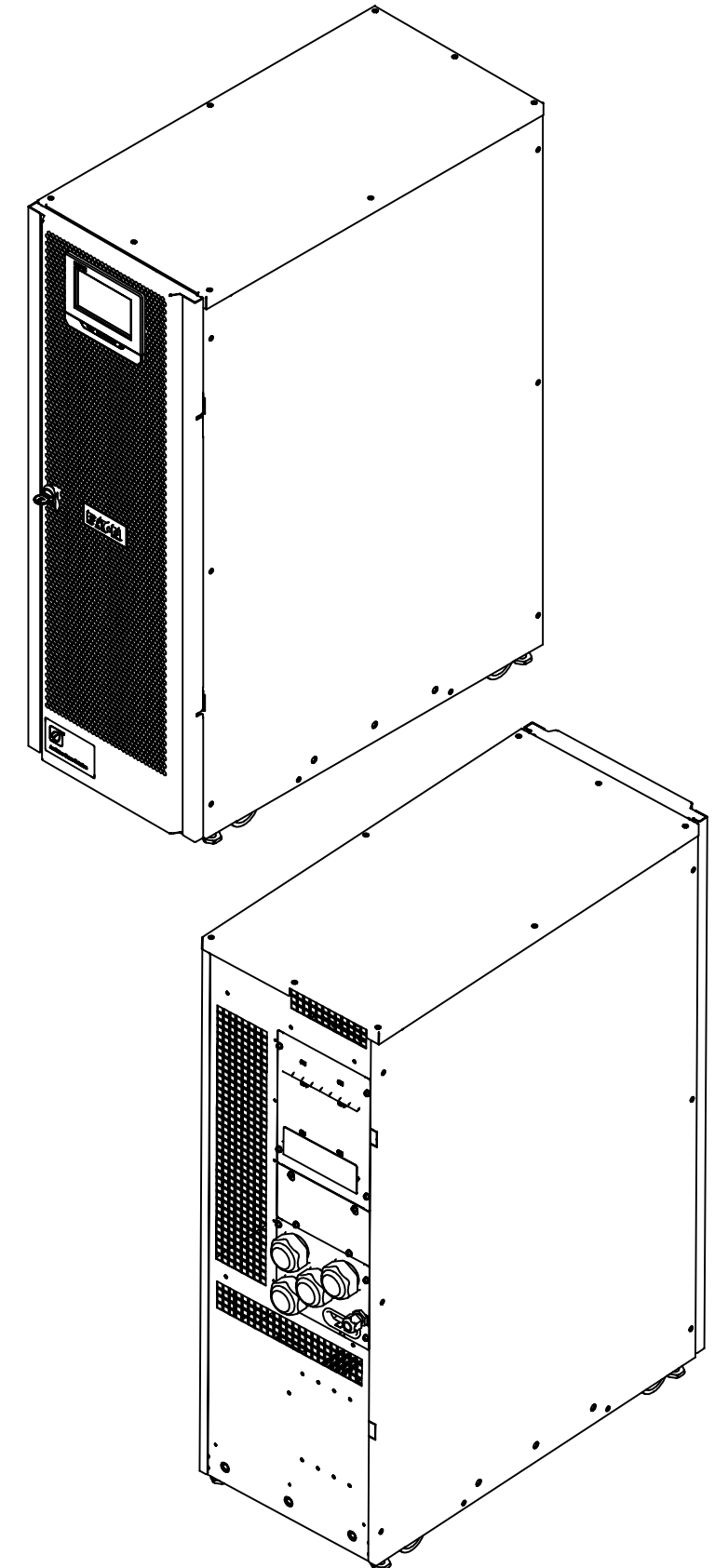


REAR VIEW

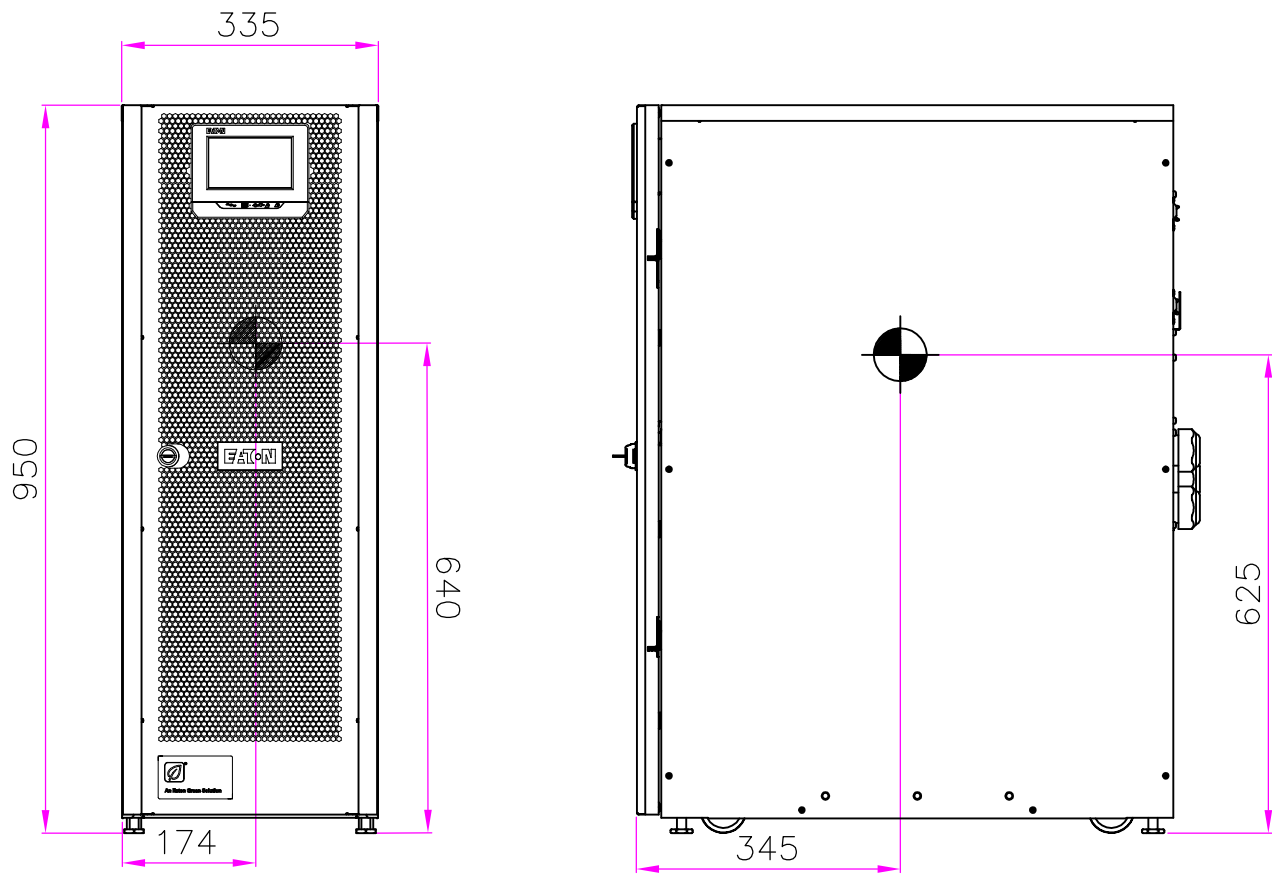


BOTTOM VIEW

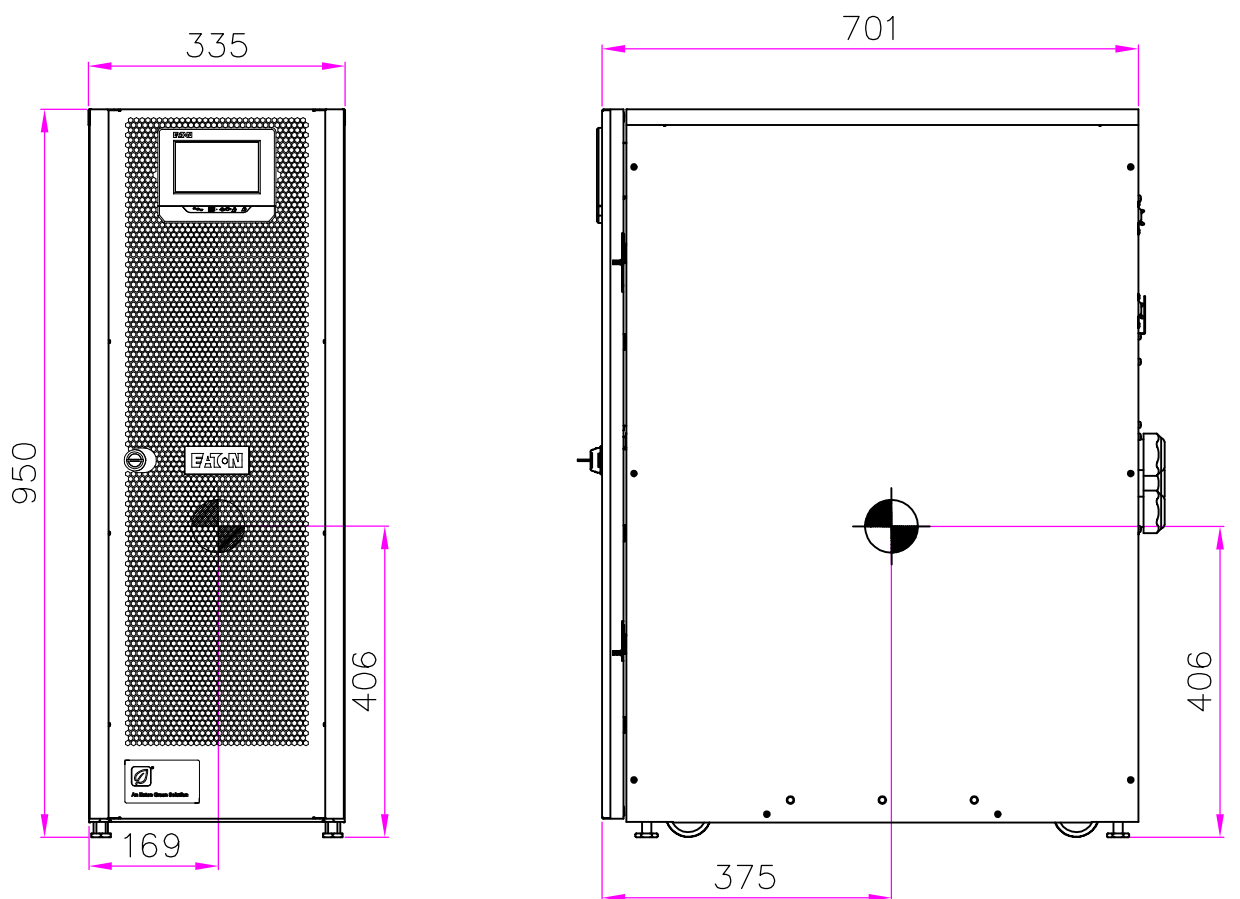
- Notes:
1. The system must be installed in a temperature and humidity controlled indoor area free of conductive contaminants.
 2. Continues ambient temperature range: 0–40°C (32–104F); Maximum relative humidity: 95% non-condensing.
 3. The UPS can be installed in line-up-and-match or standalone configurations.
 4. The rear cable entries through the removable access gland plate are standard. Access plates shall be custom-modified to suit conduit sizes.
 5. Ensure the necessary minimum air flow rate of 1,5 m³/H for internal batteries to avoid explosive gas mixture that can be created if the hydrogen concentration exceeds 4% by volume in air.



METRIC		EATON CORPORATION		EATON	
DIMENSIONS ARE IN MILLIMETERS AFTER PLATING, DIMENSIONS AND TOLERANCES IN ACCORDANCE WITH ASME Y14.5M-1994. SEE NOTES FOR TOLERANCES.					
DESCRIPTION: 93PS 8-10KW Dimensional Drawing					
ORIGINATED: HUOTARI J.	25.08.2017	ECO:	NAME:	REVISION: 001	SIZE: A2
CHECKED: Atif Rashied	4.10.2017	DOCUMENT TYPE: AUTOCAD DRAWING	P-110000601	STATE: RELEASED	SCALE: 1:7
APPROVED:					SHEET: 2 OF 7
EATON CORPORATION - CONFIDENTIAL AND PROPRIETARY					
NOTICE TO PERSONS RECEIVING THIS DOCUMENT AND/OR TECHNICAL INFORMATION					
THIS DOCUMENT, INCLUDING THE DRAWING AND INFORMATION CONTAINED THEREIN, IS CONFIDENTIAL AND IS THE EXCLUSIVE PROPERTY OF EATON CORPORATION, WHO IS HEREBY ON LOAN AND SUBJECT TO RECALL BY EATON AT ANY TIME. BY TAKING POSSESSION OF THIS DOCUMENT, THE RECIPIENT ACKNOWLEDGES AND AGREES THAT THIS DOCUMENT CANNOT BE USED IN ANY MANNER ADVERSE TO THE INTERESTS OF EATON AND THAT NO PORTION OF THIS DOCUMENT MAY BE COPIED OR OTHERWISE REPRODUCED WITHOUT THE PRIOR WRITTEN CONSENT OF EATON. IN THE CASE OF CONFLICTING CONTRACTUAL PROVISIONS, THIS NOTICE SHALL GOVERN THE SOURCE OF THIS DOCUMENT.					
© 2011 Eaton Corporation - All Rights Reserved.					

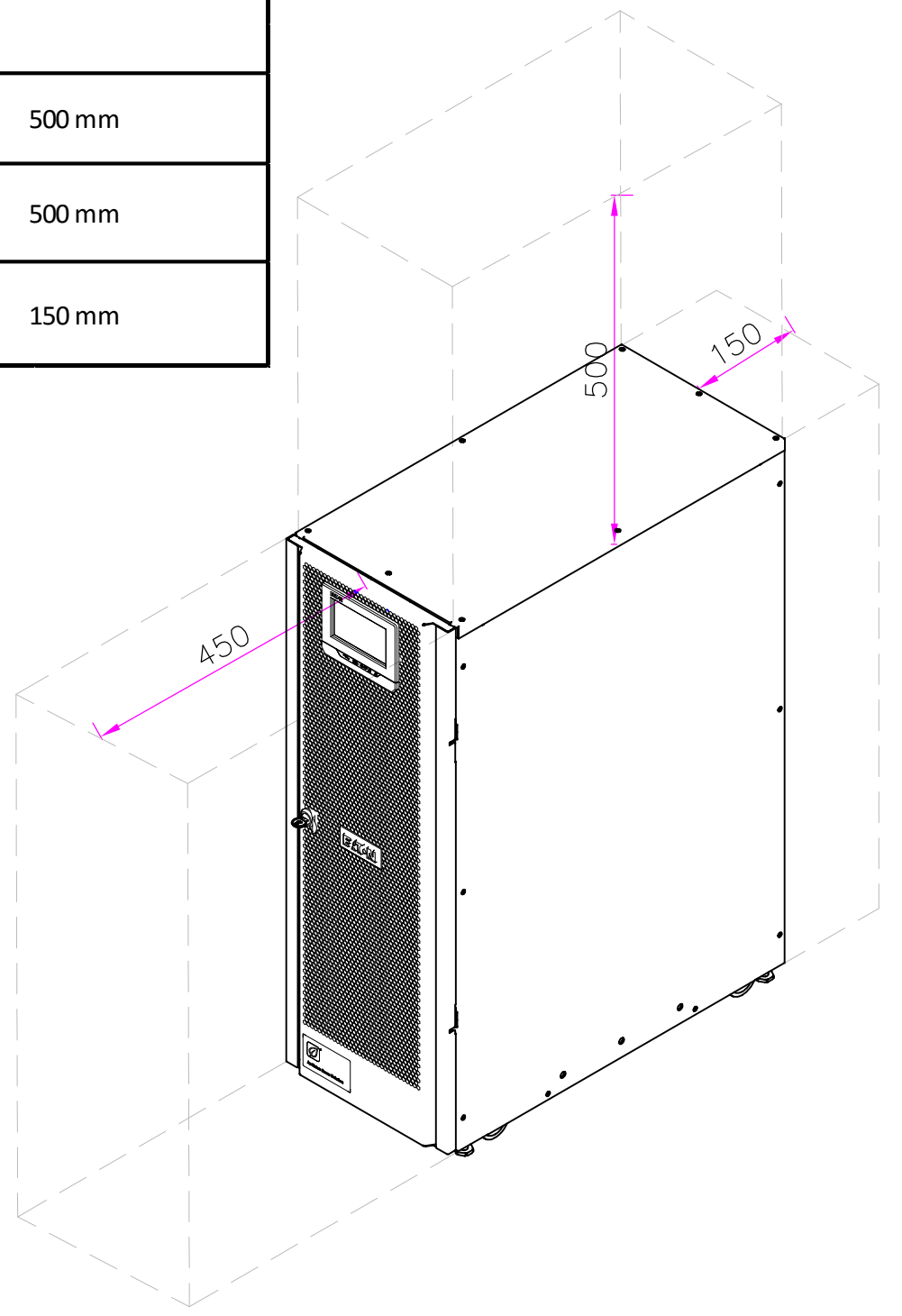


COG Dimensions without Internal Batteries



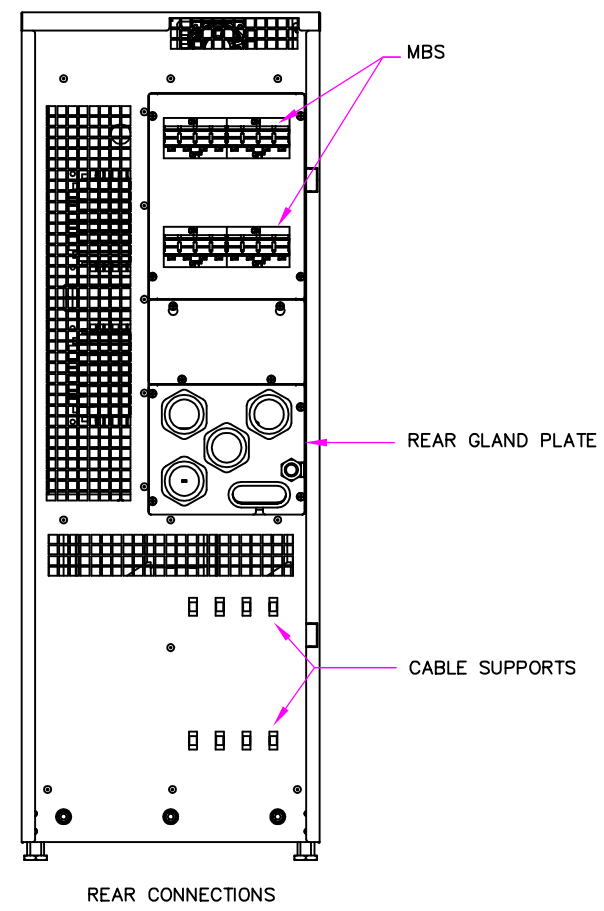
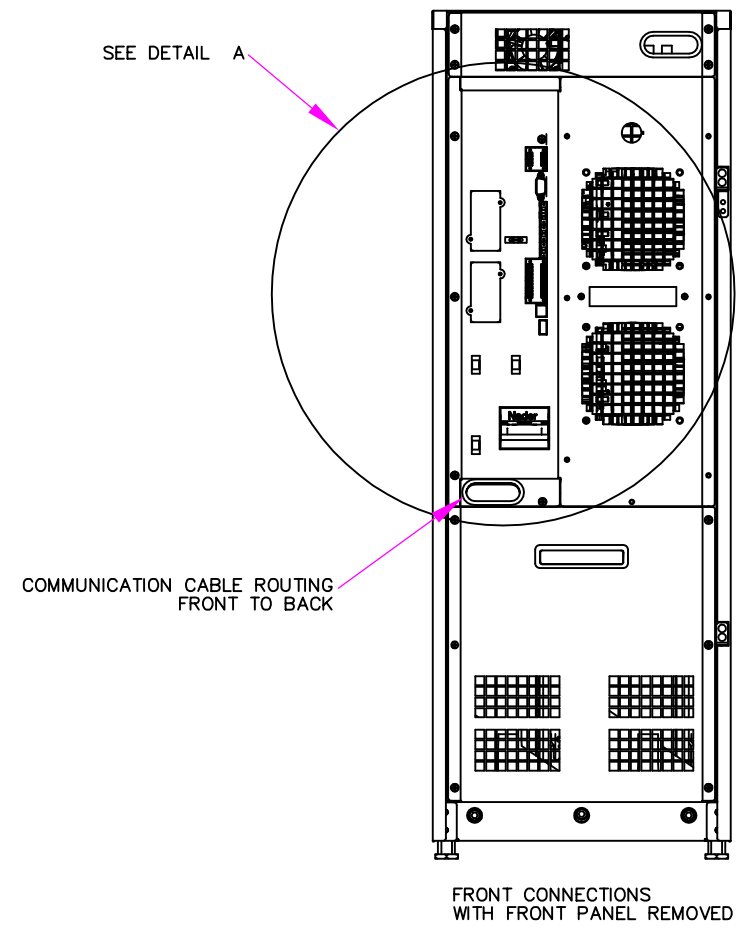
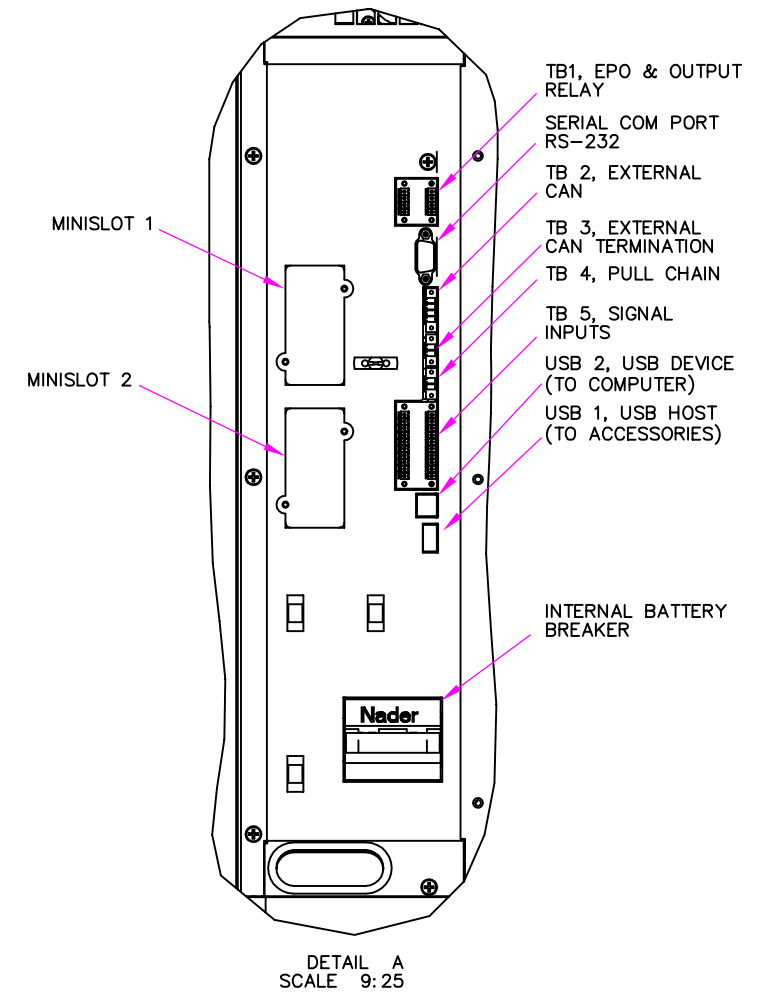
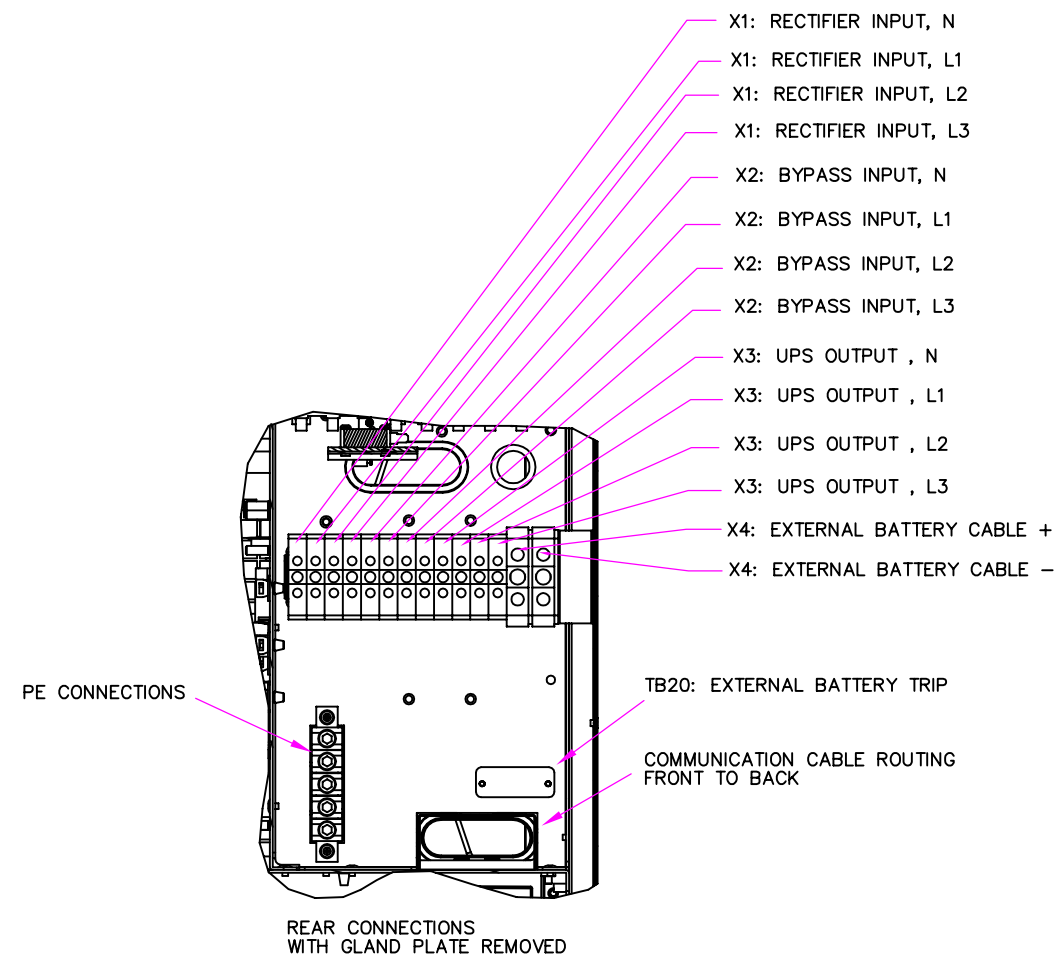
COG Dimensions with Internal Batteries

Clearances	
From Top of cabinet	500 mm
From Front of cabinet	500 mm
From Back of cabinet	150 mm



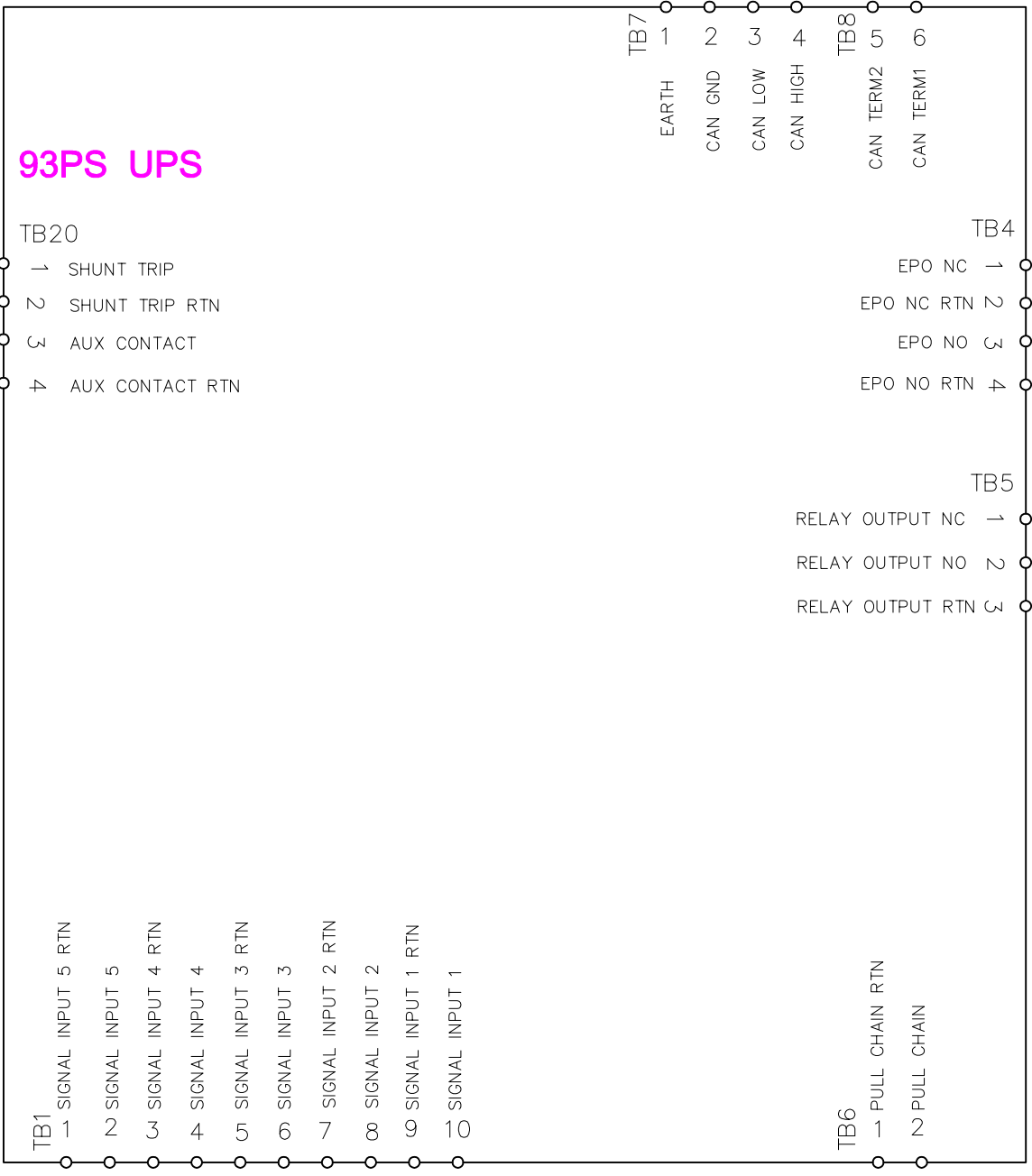
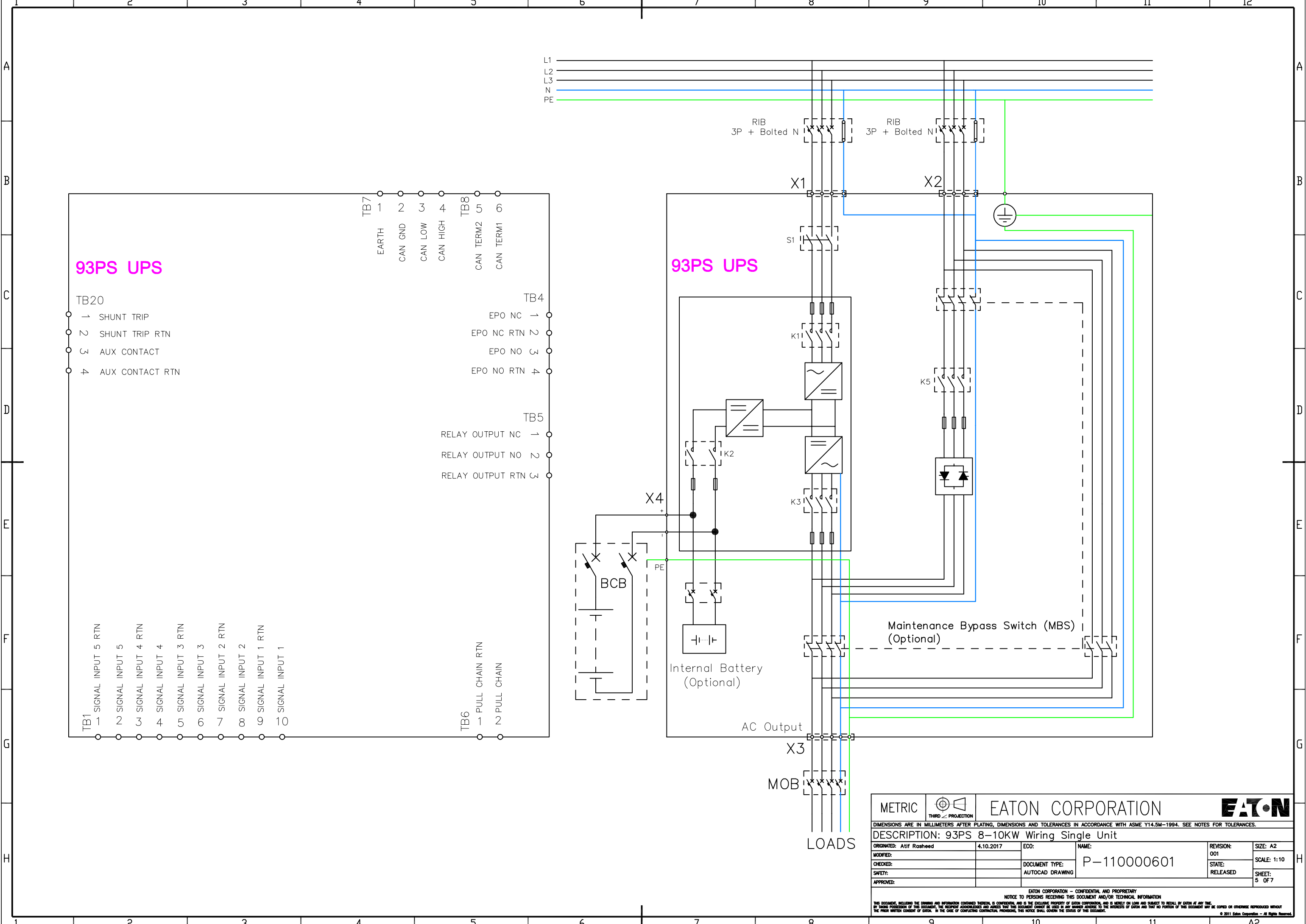
- Notes:
1. The COG dimensions for UPS cabinet are approximated values including internal Batteries and without Batteries.
 2. The COG dimensions of UPS cabinet without package are X=169mm , Y=375mm, Z=406mm including Batteries and X=174mm , Y=345mm, Z=625mm without Batteries.
 3. Minimum overhead clearance above the UPS cabinet is 500mm (20in.) for servicing space.
 4. Minimum 500mm (20in.) clearance in front of the UPS cabinet is required for cooling air intake and servicing space.
 5. Minimum 150mm (6in.) clearance in back of the UPS cabinet is required for cooling air exhaust and servicing space.

METRIC	THIRD ANGLE PROJECTION	EATON CORPORATION		EATON	
DIMENSIONS ARE IN MILLIMETERS AFTER PLATING, DIMENSIONS AND TOLERANCES IN ACCORDANCE WITH ASME Y14.5M-1994. SEE NOTES FOR TOLERANCES.					
DESCRIPTION: 93PS 8-10KW Clearance and COG					
ORIGINATED: HUOTARI J.	25.8.2017	ECO:	NAME:	REVISION: 001	SIZE: A2
MODIFIED: Atif Rashheed	4.10.2017			STATE: RELEASED	SCALE: 1:7
CHECKED:		DOCUMENT TYPE: AUTOCAD DRAWING	P-110000601		SHEET: 3 OF 7
APPROVED:					
EATON CORPORATION - CONFIDENTIAL AND PROPRIETARY					
NOTICE TO PERSONS RECEIVING THIS DOCUMENT AND/OR TECHNICAL INFORMATION					
THIS DOCUMENT, INCLUDING THE DRAWING AND INFORMATION CONTAINED THEREIN, IS CONFIDENTIAL AND IS THE EXCLUSIVE PROPERTY OF EATON CORPORATION, AND IS LOANED TO YOU BY EATON AT ANY TIME. BY YOUR POSSESSION OF THIS DOCUMENT, THE RECIPIENT ACKNOWLEDGES AND AGREES THAT THIS DOCUMENT CANNOT BE USED IN ANY MANNER ADVERSE TO THE INTERESTS OF EATON AND THAT NO PORTION OF THIS DOCUMENT MAY BE COPIED OR OTHERWISE REPRODUCED WITHOUT THE PRIOR WRITTEN CONSENT OF EATON. IN THE CASE OF CONFLICTING CONTRACTUAL PROVISIONS, THIS NOTICE SHALL GOVERN THE SOURCE OF THIS DOCUMENT.					
© 2011 Eaton Corporation - All Rights Reserved.					

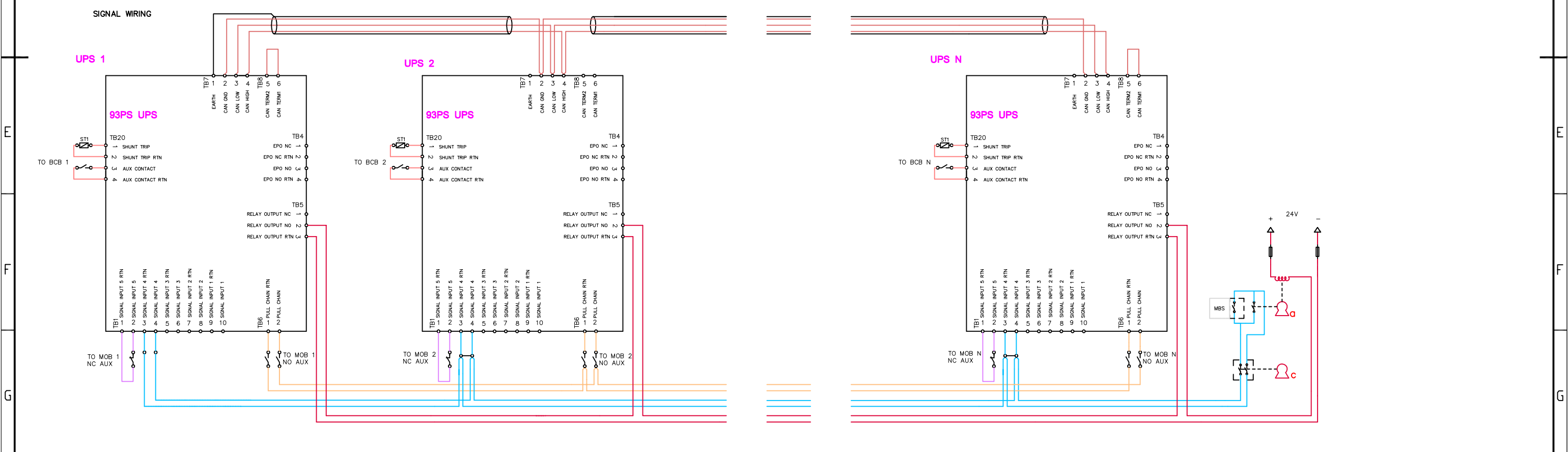
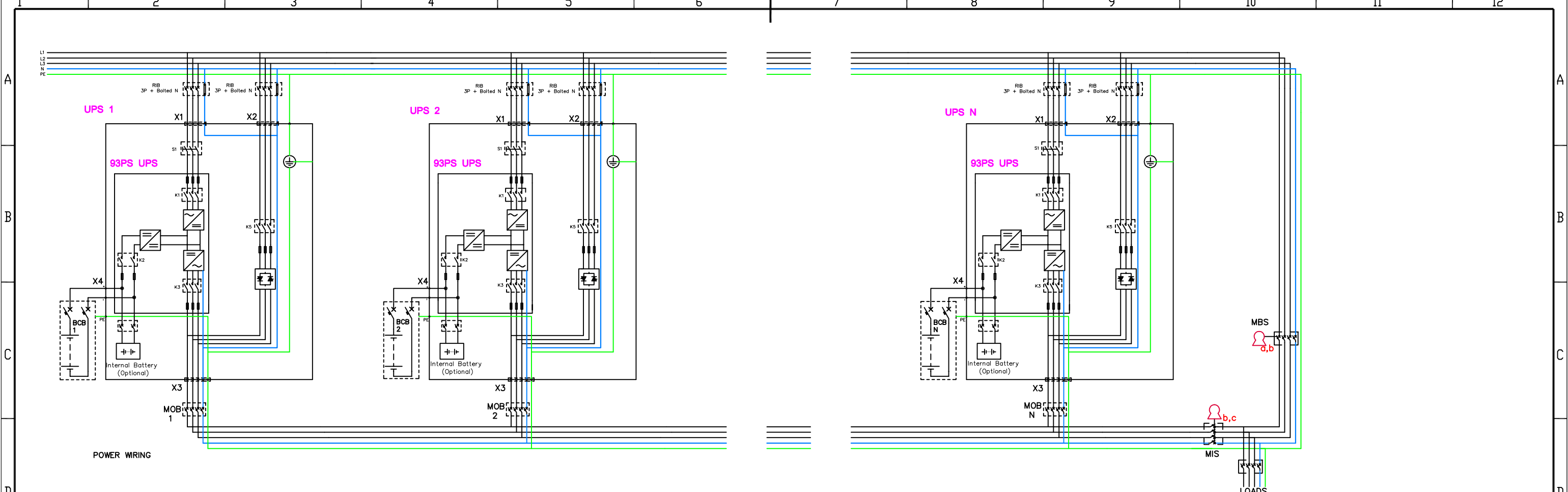


Notes:
 1.M33 size cable gland plates with strain relief bushings are used on rear side of unit for power cabling.
 2.Recommended minimum cable size for rectifier, bypass and UPS output.
 8 kW: 4X2.5mm²
 10 kW: 4X4mm²
 PE cable: 1X6mm²

METRIC		THIRD ANGLE PROJECTION		EATON CORPORATION			EATON	
DIMENSIONS ARE IN MILLIMETERS AFTER PLATING, DIMENSIONS AND TOLERANCES IN ACCORDANCE WITH ASME Y14.5M-1994. SEE NOTES FOR TOLERANCES.								
DESCRIPTION: 93PS 8-10KW Customer Connections								
ORIGINATED: HUOTARI J.	25.04.2017	ECO:	NAME:	REVISION: 001	SIZE: A2			
MODIFIED: Atif Rashheed	4.10.2017			STATE: RELEASED	SCALE: 1:6			
CHECKED:		DOCUMENT TYPE: AUTOCAD DRAWING	P-110000601		SHEET: 4 OF 7			
APPROVED:				EATON CORPORATION - CONFIDENTIAL AND PROPRIETARY				
NOTICE TO PERSONS RECEIVING THIS DOCUMENT AND/OR TECHNICAL INFORMATION								
THIS DOCUMENT, INCLUDING THE DRAWING AND INFORMATION CONTAINED THEREIN, IS CONFIDENTIAL AND IS THE EXCLUSIVE PROPERTY OF EATON CORPORATION, AND IS LOANED TO YOU AND SUBJECT TO RECALL BY EATON AT ANY TIME. BY YOUR POSSESSION OF THIS DOCUMENT, THE RECIPIENT ACKNOWLEDGES AND AGREES THAT THIS DOCUMENT CANNOT BE USED IN ANY MANNER ADVERSE TO THE INTERESTS OF EATON AND THAT NO PORTION OF THIS DOCUMENT MAY BE COPIED OR OTHERWISE REPRODUCED WITHOUT THE PRIOR WRITTEN CONSENT OF EATON. IN THE CASE OF CONFLICTING CONTRACTUAL PROVISIONS, THIS NOTICE SHALL GOVERN THE SOURCE OF THIS DOCUMENT.								
© 2011 Eaton Corporation - All Rights Reserved.								



METRIC		EATON CORPORATION		EATON	
DIMENSIONS ARE IN MILLIMETERS AFTER PLATING, DIMENSIONS AND TOLERANCES IN ACCORDANCE WITH ASME Y14.5M-1994. SEE NOTES FOR TOLERANCES.					
DESCRIPTION: 93PS 8-10KW Wiring Single Unit					
ORIGINATED: Atif Rasheed	4.10.2017	ECO:	NAME:	REVISION: 001	SIZE: A2
CHECKED:		DOCUMENT TYPE: AUTOCAD DRAWING	P-110000601	STATE: RELEASED	SCALE: 1:10
APPROVED:				SHEET: 5 OF 7	
<small> NOTICE TO PERSONS RECEIVING THIS DOCUMENT AND/OR TECHNICAL INFORMATION: THIS DOCUMENT, INCLUDING THE DRAWING AND INFORMATION CONTAINED THEREIN, IS CONFIDENTIAL AND PROPRIETARY INFORMATION OF EATON CORPORATION. IT IS THE EXCLUSIVE PROPERTY OF EATON CORPORATION, AND IS LOANED TO YOU BY EATON AT ANY TIME. BY YOUR POSSESSION OF THIS DOCUMENT, YOU ACKNOWLEDGE AND AGREE THAT THIS DOCUMENT CANNOT BE USED IN ANY MANNER IN VIOLATION OF THE POLICY OF EATON AND THAT NO PORTION OF THIS DOCUMENT MAY BE COPIED OR OTHERWISE REPRODUCED WITHOUT THE PRIOR WRITTEN CONSENT OF EATON. IN THE CASE OF CONFLICTING CONTRACTUAL PROVISIONS, THIS NOTICE SHALL GOVERN THE SOURCE OF THIS DOCUMENT. © 2011 Eaton Corporation - All Rights Reserved. </small>					



<p>POWER WIRING</p> <ul style="list-style-type: none"> MBS STATUS (Provided by others, Installed by others) 0.75 - 2.5mm² twisted pair (if possible, else shielded) No earth needed MOB STATUS (Provided by others, Installed by others) 0.75 - 2.5mm² twisted pair (if possible, else shielded) No earth needed PCAN (DUAL AS OPTION) Provided by Eaton, Installed by Eaton 	<p>SIGNAL WIRING</p> <ul style="list-style-type: none"> PULL CHAIN (REDUNDANT ON BYP STATUS) Provided by Eaton, Installed by Eaton ON BYPASS STATUS (NO INVERTORS ONLINE) 1.5 - 2.5mm², provided by others, Installed by others 	<p>Mechanical bypass interlocking sequence</p> <ol style="list-style-type: none"> 1. Place UPS system to bypass. On bypass status (K3) will energize Key A solenoid to release it 2. Removing key A will switch on "force bypass" to the UPS system 3. Place key A to MBS breaker and close breaker. Key B will be released. 4. Aux contact of MBS will keep "force bypass" on UPS system 5. Place key B to MIS breaker and open MIS to isolate UPS system from load. Key C will be released 6. Place key C to it's dedicated keyhole to release "force bypass" command to allow UPS system testing
--	--	--

METRIC		EATON CORPORATION		EATON	
DIMENSIONS ARE IN MILLIMETERS AFTER PLATING, DIMENSIONS AND TOLERANCES IN ACCORDANCE WITH ASME Y14.5M-1994. SEE NOTES FOR TOLERANCES.					
DESCRIPTION: 93PS 8-10KW Wiring Parallel Units					
ORIGINATED: Atif Rasheed	4.10.2017	ECO:	NAME:	REVISION: 001	SIZE: A2
MODIFIED:		DOCUMENT TYPE:	P-110000601		SCALE: 1:1
CHECKED:		AUTOCAD DRAWING	RELEASED	SHEET: 6 OF 7	
APPROVED:					
EATON CORPORATION - CONFIDENTIAL AND PROPRIETARY NOTICE TO PERSONS RECEIVING THIS DOCUMENT AND/OR TECHNICAL INFORMATION THIS DOCUMENT, INCLUDING THE DRAWING AND INFORMATION CONTAINED THEREIN, IS CONFIDENTIAL AND IS THE SOLE PROPERTY OF EATON CORPORATION AND IS SUBJECT TO RECALL BY EATON AT ANY TIME. BY TAKING POSSESSION OF THIS DOCUMENT, THE RECIPIENT ACKNOWLEDGES AND AGREES THAT THIS DOCUMENT CANNOT BE USED IN ANY MANNER ADVERSE TO THE INTERESTS OF EATON AND THAT NO PORTION OF THIS DOCUMENT MAY BE COPIED OR OTHERWISE REPRODUCED WITHOUT THE PRIOR WRITTEN CONSENT OF EATON. IN THE CASE OF CONFLICTING CONTRACTUAL PROVISIONS, THIS NOTICE SHALL GOVERN THE SOURCE OF THIS DOCUMENT. © 2011 Eaton Corporation - All Rights Reserved.					

93PS 8-10KW UPS Site Planning Data

Product Specifications																			
UPS Rating		AC Input		3P+Bolted N Rectifier Input Breaker (RIB)		3P+Bolted N Bypass Input Breaker (BIB)			4P Inverter AC output Breaker MOB			Battery Breaker (BCB) (Ratings at the end of discharge, 1.67VPC)				For Single Unit Maintenance Bypass Switch (MBS)	For Parallel Units Common Maintenance Bypass Switch (MBS)		
				Nominal Current	Maximum Current	Nominal Current at 400v Input	Maximum Current at 15% under voltage	Integrated Bypass Fuse	AC Output	Output Current	Inverter Short Circuit Current	Auxiliary Switches	Rating	Rated Current	Maximum current	Trip Device (Shunt Trip)	Auxiliary Switches	Rating	Rating
KVA	KW	v	A	A	A	A	Type	v	A	A / 300ms	Qty	VDC	A	A	VDC	Qty	A	A	Qty
8	8	400	12	14	12	17	80ET	400	12	36	2	500	22	26	24	1	12	12 x N	1
10	10	400	15	18	14	21	80ET	400	15	36	2	500	27	33	24	1	14	14 x N	1

Minimum recommended cable and fuse sizes							
UPS RATING KW	Cable [mm ²]	Rectifier Fuse [A]	Bypass Fuse [A]	PE Cable [mm ²]	POS. & NEG. Line [mm ²]	Battery Fuse [A]	EX BATT PE Cable [mm ²]
8	4x2.5	16	20	1x2.5	1x10	32	1x10
10	4x4	16	20	1x4	1x10	32	1x10

Maximum conductor cross section	
Rectifier/Bypass/Output	EX. Battery
Solid/stranded wire: 16 mm ² Stranded wire with ferrule: 10 mm ²	Solid/stranded wire: 25 mm ² Stranded wire with ferrule: 16 mm ²

Notes:

1. Rectifier AC input current calculations: Nominal – 100% load without charging; Maximum – 100% load with maximum charging (Rectifier current limit).
2. Inverter AC output current calculation: At 100% rated output load.
3. The system must be installed on a level floor suitable for computer or electronic equipment.
4. All wiring and installations must be in accordance with applicable National and Local Electric Regulations.
5. AC input to UPS: (3) phases, (1) neutral, (1) ground.
AC output to load: (3) phases, (1) neutral, (1) ground.
DC input from battery to UPS: (1) positive, (1) negative, (1) ground.
6. All breakers should be adjusted according to the specified Ampere values to protect the UPS and installation.
7. For UPS installation that utilizes single feed input, The input breaker should be configured according to the rated rectifier input current.
8. Cable sizing is based on the standard IEC 60364-5-52 and IEC 60364-5-54. The sizing is for 70°C rated copper cables.
9. Specifications are subject to change.

METRIC	THIRD ANGLE PROJECTION	EATON CORPORATION		
DIMENSIONS ARE IN MILLIMETERS AFTER PLATING, DIMENSIONS AND TOLERANCES IN ACCORDANCE WITH ASME Y14.5M-1994. SEE NOTES FOR TOLERANCES.				
DESCRIPTION: 93PS 8-10KW Specifications				
ORIGINATED: Atif Rasheed	4.10.2017	ECO:	NAME:	REVISION: 001
MODIFIED:		DOCUMENT TYPE:	P-110000601	SCALE: 1:1
CHECKED:		AUTOCAD DRAWING		RELEASED
SAFETY:				SHEET: 7 OF 7
APPROVED:				
EATON CORPORATION - CONFIDENTIAL AND PROPRIETARY NOTICE TO PERSONS RECEIVING THIS DOCUMENT AND/OR TECHNICAL INFORMATION THIS DOCUMENT, INCLUDING THE DRAWING AND INFORMATION CONTAINED THEREIN, IS CONFIDENTIAL AND IS THE EXCLUSIVE PROPERTY OF EATON CORPORATION, AND IS LOANED TO YOU AND SUBJECT TO RECALL BY EATON AT ANY TIME. BY TAKING POSSESSION OF THIS DOCUMENT, THE RECIPIENT ACKNOWLEDGES AND AGREES THAT THIS DOCUMENT CANNOT BE USED IN ANY MANNER ADVERSE TO THE INTERESTS OF EATON AND THAT NO PORTION OF THIS DOCUMENT MAY BE COPIED OR OTHERWISE REPRODUCED WITHOUT THE PRIOR WRITTEN CONSENT OF EATON. IN THE CASE OF CONFLICTING CONTRACTUAL PROVISIONS, THIS NOTICE SHALL GOVERN THE SOURCE OF THIS DOCUMENT. © 2011 Eaton Corporation - All Rights Reserved.				