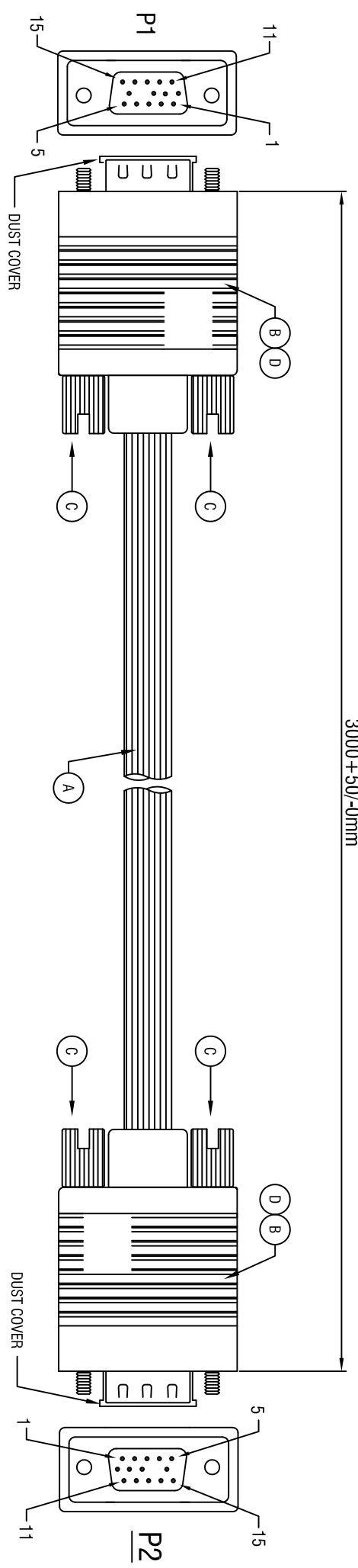
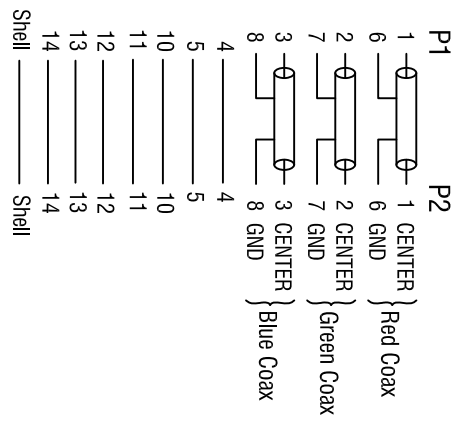


3000+50/-0mm



WIRE ADDRESS



- Electrical Test:
1. 100% TEST OPEN SHORT MIS-WIRE.
 2. CONTACT RESISTANCE:3Ω MAX.
 3. INSULATION RESISTANCE:5MΩ MIN.
 4. HI-POT:300V DC/10MS.
 5. Real Test Passed 1280*1024.
 6. Real Test Not Twinkling, Double Vision and Decolor.

D	45P BLACK PVC		G	ROLINE HQ VGA Cable, HD15 M - HD15 M, 3.0m	
C	HD37.7 Screw	4	PCS	Item	11.04.5203
B	HDB15P MALE (PIN9 OUT, Black Insulator Nickel Plated)	2	PCS	Draw	<i>Make</i> Date: 2020.05.13
A	UL2919,28# 3COAX+28#*7C+ADB, OD=8.0mm BLACK DENTATE PVC JACKET.	1	PCS	Approval	
PRODUCT SPECIFICATIONS			Quantity	Duty	F16
NUMBER			Unit	BOM.NO.:	13901
1			2	Sample NO.:	
4			4	Drawings of 1 (2)	Proportion: 1:1
				Unit(mm)	
					A4

