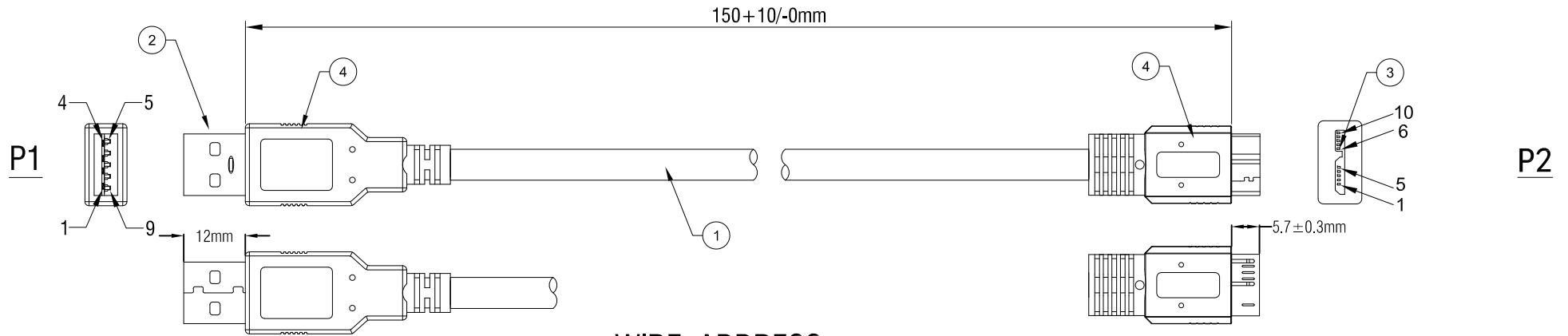
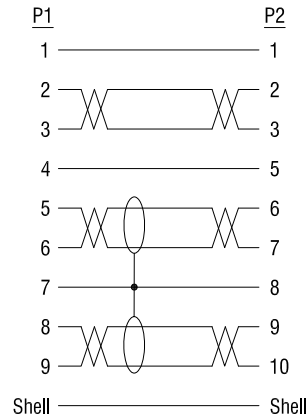


RoHS Compliant



WIRE ADDRESS



- Electrical Test:
- 1.100% TEST OPEN SHORT MIS-WIRE.
 - 2.CONTACT RESISTANCE:3Ω MAX.
 - 3.INSULATION RESISTANCE:5MΩ MIN.
 - 4.HI-POT:300V DC/10MS.

NUMBER	BOM.NO	PRODUCT SPECIFICATIONS	Quantity	Unit	Sample NO.	Drawings of 1 (2)	Proportion: 1:1	Unit(mm)	A4
4	45P PVC BLACK			G	ROLINE USB 3.2 Gen 1 Cable, A - Micro B, M/M, black, 0.15 m				
3	USB 3.0 Micro B MALE(Black Insulator,Shell Nickel Plated,Pin Gold Plated 30U")		1	PCS	Item	11.02.8876			
2	USB 3.0 A MALE(Blue Insulator,Shell Nickel Plated,Pin Gold Plated 30U")		1	PCS	Draw	Sam	Date: 2022.08.30		
1	UL2725 OR UL20276 (28AWG*1P+EAM)*2C+28AWG*1P+24AWG*2C+AEB,OD=5.5mm, BLACK PVC JACKET.		1	PCS	Approval				
					Duty	F16	BOM.NO:XXXX		

SECOMP