

DESIGNED FOR EVERY STAGE

PORTABLE FLAT PANEL STAND SPECIFICATIONS



The PRSU Portable Flat Panel Stand was designed for every stage of use from storage to transport to set up to teardown. No tools are needed, and most people can set it up in under two minutes, even the first time. The rugged design can withstand the wear and tear that is commonplace in the rental and staging market. The PRSU also breaks down and folds up for easy space savings and can be stored in a customized, wheeled case accessory.

Ideal for a variety of applications when portable digital signage is needed: rental and staging, corporate, retail, hospitality, transportation, healthcare and more!



FEATURES

- Fast set up and tear down
- Intuitive, tool-less installation
- Rugged design withstands heavy use
- Folds up for easy transport and storage
- Integrated cable management
- Available accessories
- Supports padlock security

SPECIFICATIONS

Tilt	+/- 15 degrees
Height Adjustment (from center of display to floor)	45-72" (114 - 183 cm) in 1" (25 mm) increments
Weight Capacity	200 lbs. (90.7 kg)
Orientation	portrait and landscape
Mounting Pattern	200 x 200 - 860 x 515 mm
Base Dimensions	35.95 x 33.5" (913 x 851 mm)



DESIGNED FOR EVERY STAGE

PORTABLE FLAT PANEL STAND SPECIFICATIONS



ACCESSORIES

Get the most out of the storage features of the PRSU with the PAC900 accessory case

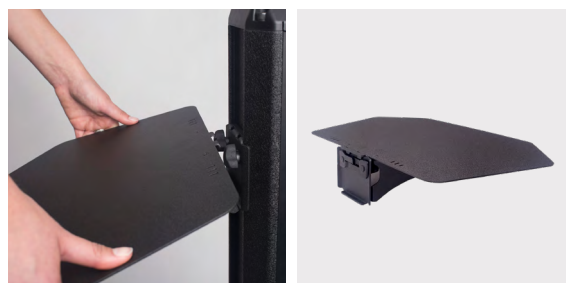
- Includes handles and 4 wheels for easy transportation
- Stack up to four high Put away and pull out parts of stand in the order needed
- Rugged design
- Overall dimensions: 13.94 x 58.25 x 21.25" (354 x 1480 x 540 mm)



PAC900

The PAC910 Portable Flat Panel Stand Shelf is as durable as the stand and designed for fast, tool-less installation and removal.

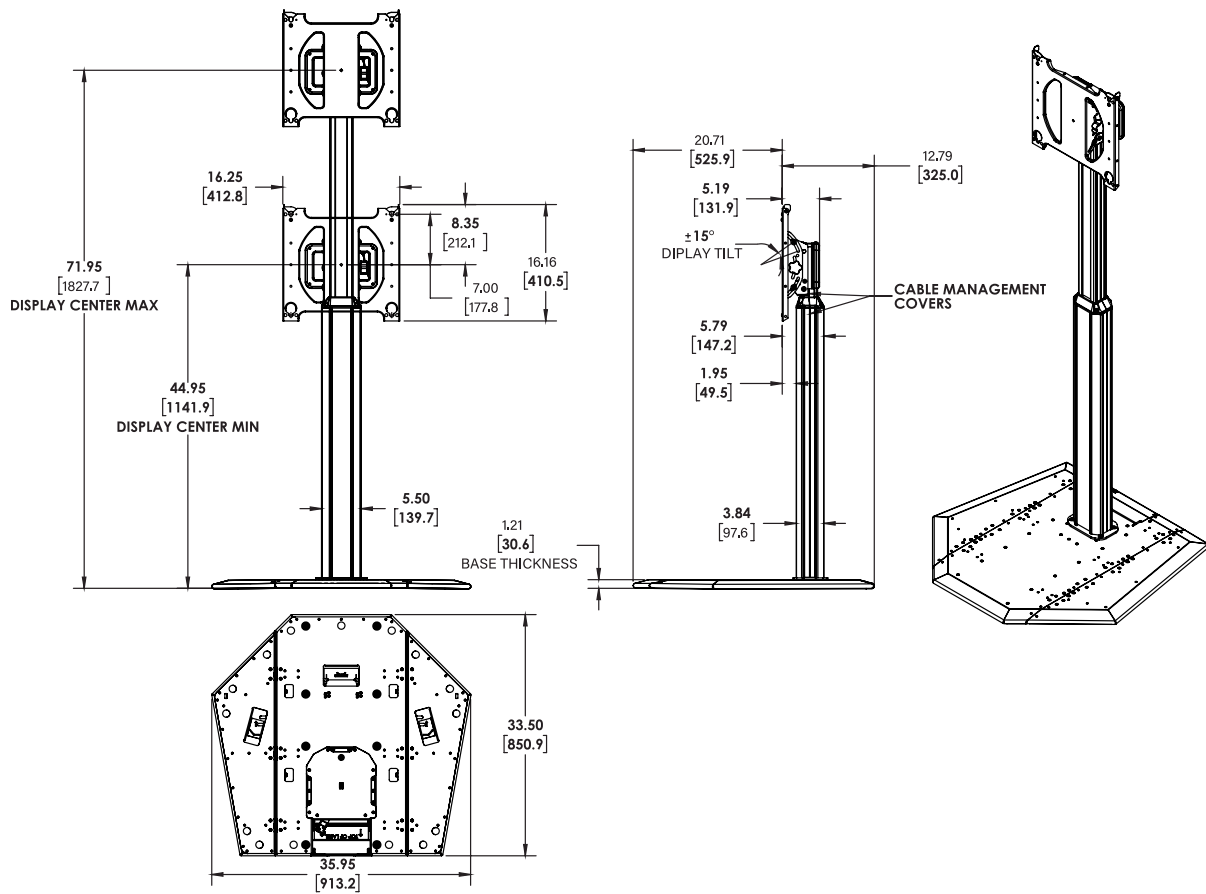
- Zip tie anchor points for securing cables. Tie down strap for securing equipment
- Mounts directly to stand lower column at any height along the channel
- Weight capacity of 25 lbs (11.3 kg)
- Overall dimensions: 3.21 x 18 x 12.12" (82 x 457 x 308 mm)



PAC910

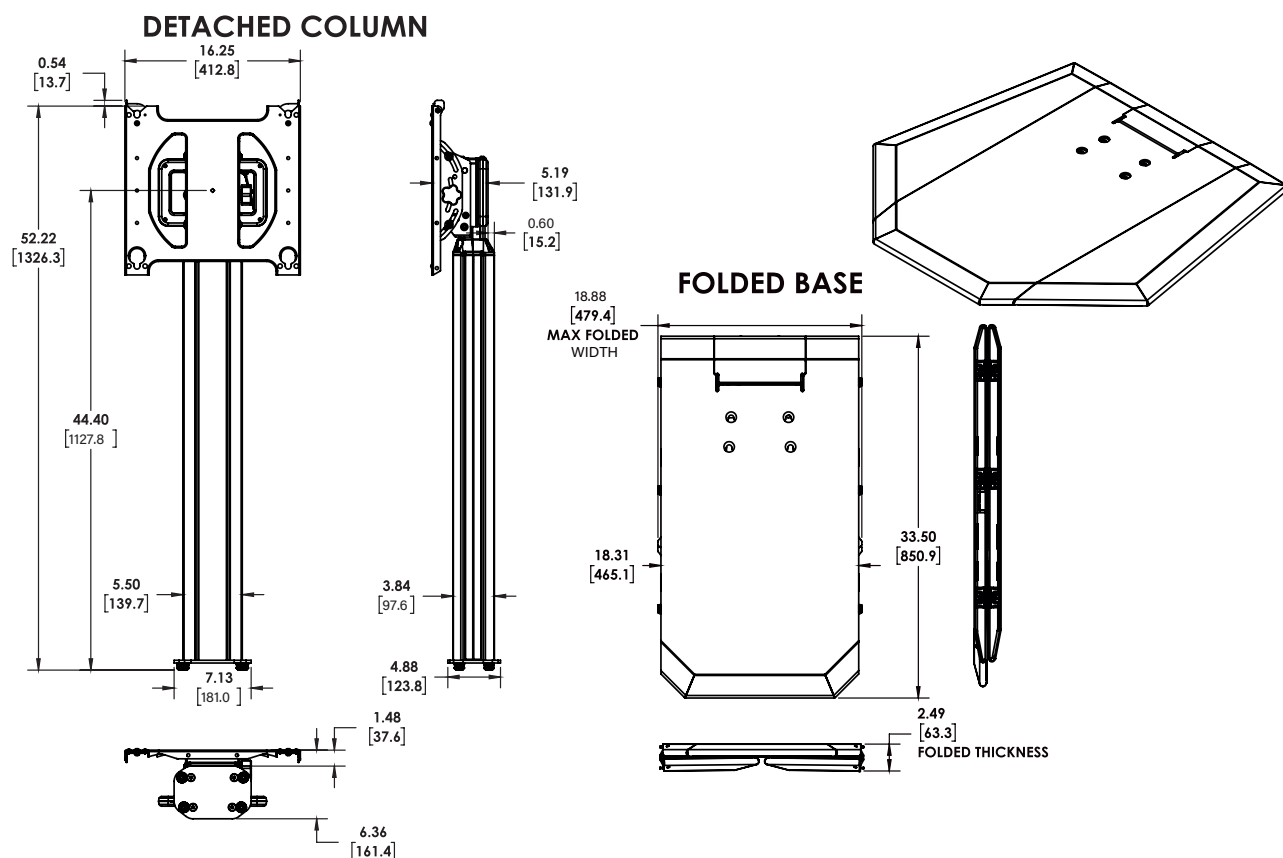
DESIGNED FOR EVERY STAGE

PORTABLE FLAT PANEL STAND SPECIFICATIONS



DESIGNED FOR EVERY STAGE

PORTABLE FLAT PANEL STAND SPECIFICATIONS



LEGRAND | AV COMMERCIAL BRANDS

C2G | Chief | Da-Lite | Luxul | Middle Atlantic | Vaddio | Wiremold

INSTALLER INSPIRED | legrandav.com

USA 866.977.3901 av.chief.support@legrand.com CANADA 877.345.4329 av.chief.canada@legrand.com

EMEA +31 495 580 840 av.emea.sales@legrand.com APAC +852 2145 4099 av.asia.sales@legrand.com

©2022 Legrand AV Inc. 210831 Rev A. 1/22 Chief is a registered trademark of Legrand AV Inc. All other brand names or marks are used for identification purposes and are trademarks of their respective owners. All patents are protected under existing designations. Other patents pending.