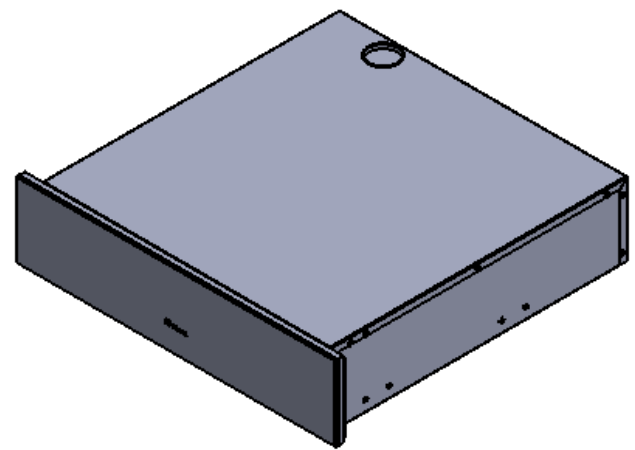
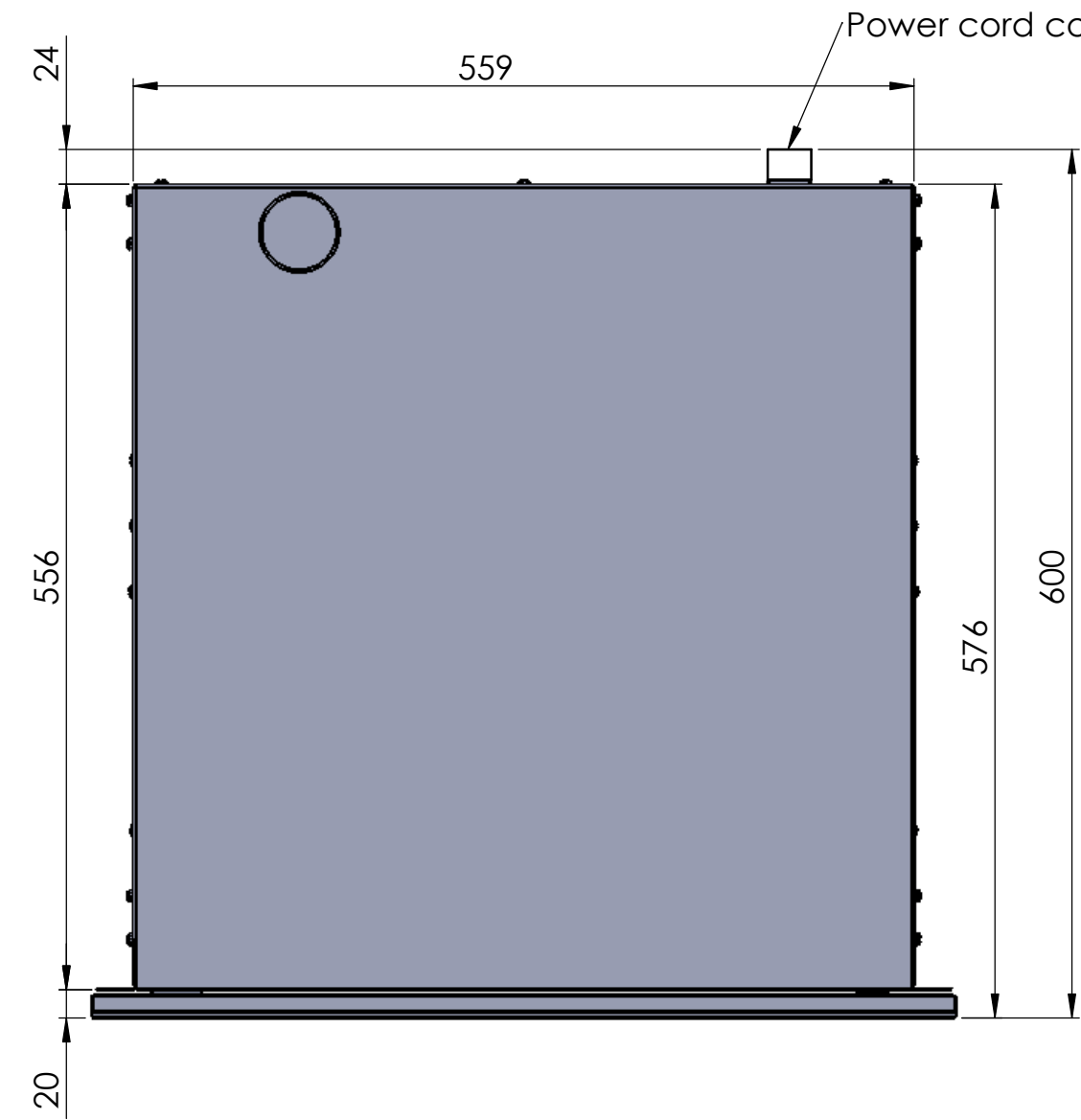
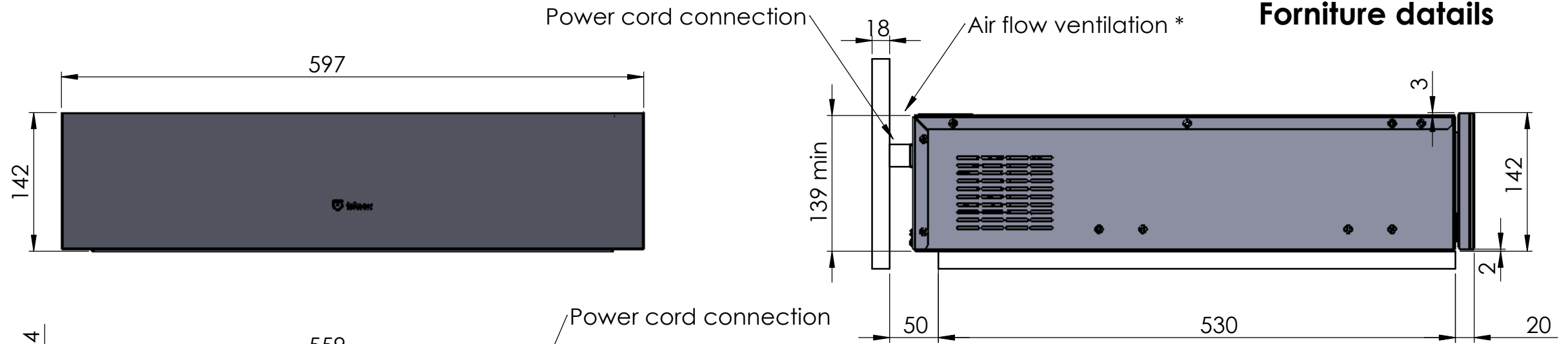


Furniture details



* Note: air flow circulation is necessary in case of combinations in a column with other equipment

Technical data	
Voltage	220-240V / 50-60 Hz
Max power rate	360 W
Vacuum pump rate	100 W
Vacuum pump capacity	3 m3/h
Vacuum level number	4 (Delicate / MIN / MED / MAX)
Absolute final pressure	Delicate = < 700 mbar MIN = < 300 mbar MED = < 170 mbar MAX = <10 mbar
Vacuum chamber volume	7 litres
Useful length of weld	300 mm
Maximum size of the envelopes	L 300 mm x h 350 mm
Net weight	36 kg
Maximum operating drawer extraction	484 mm
Vacuum chamber dimension	W 328mm x h 64 mm x D 324 mm
Dimensions recessed element	Standard drawer module h150 mm x W600 mm (dimension: W597 mm x h 142 mm x D 600 mm)

05	04	03	02	01	00
REV	DESCRIZIONE	MODIFICA	DATA	VERIFICATO DA:	DATA: